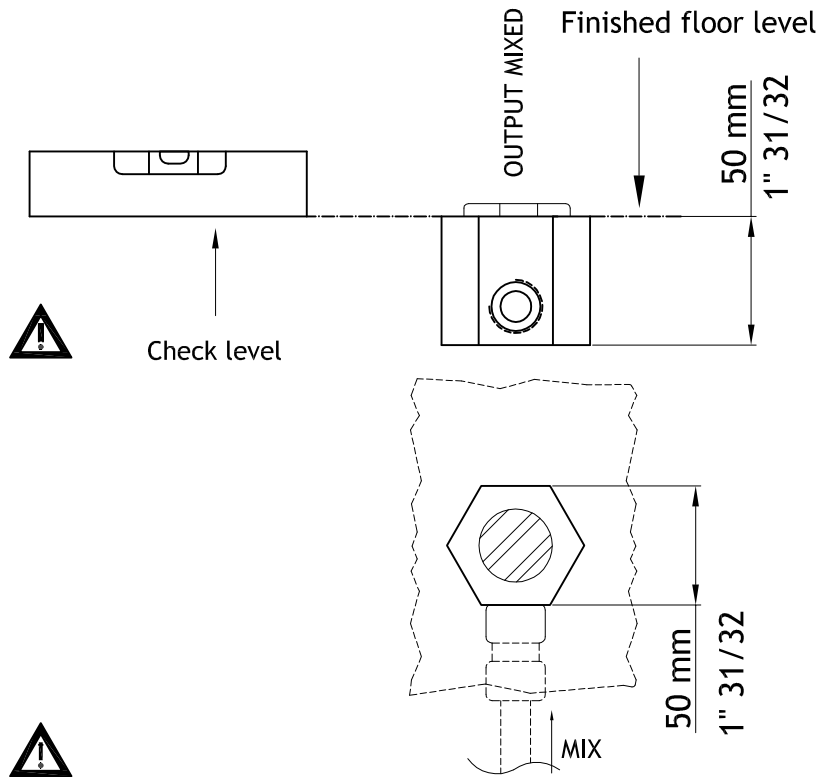
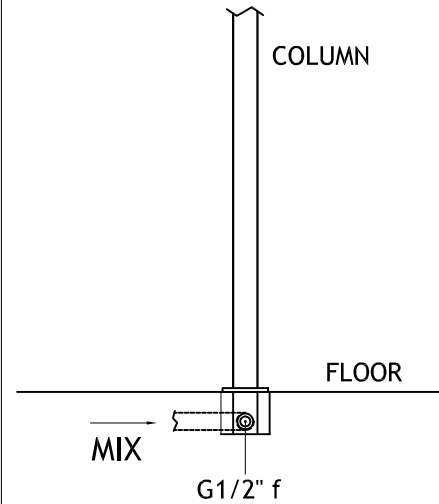


**FLOOR INSTALLATION INFO**

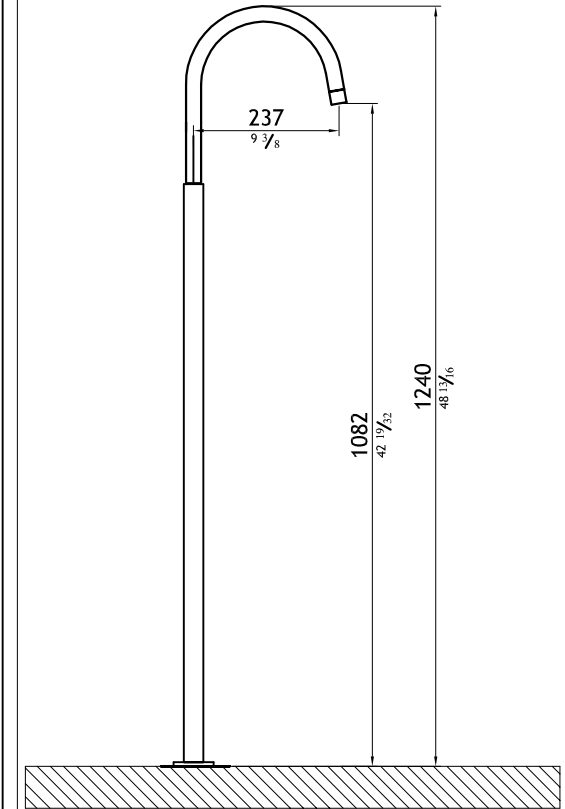


**INSTALL FLOOR BLOCK BY CHECKING LEVEL.  
ENSURE POSITION RESPECT TO FLOOR LEVEL.**

**SPOUT COLUMN CONNECTION**



**FRONT VIEW**



**MGS Progetti srl**

Corso Milano, 189 - 28883 Gravellona Toce (VB) - Italy

www.mgsprogetti.com - E-mail: info@mgsprogetti.com - Tel.: +39 0323 865218 - Fax: +39 0323 865215

**ASSEMBLY INSTRUCTIONS FLOOR SPOUT COLUMN**  
**AC980**

Remove various parts from the carton with extreme care.

**SPOUT COLUMN ASSEMBLY**

(FIG 1)

- Unscrew protection lid (A) and check that gasket (C) is inside ½" thread (FIG 2).

(FIG 2)

- Tighten nozzle (B) with hexagonal key N. 10.

(FIG 3)

- Check that nozzle (B) is tight.
- Push trim ring (D) onto column (E).
- Screw column (E) onto nozzle (B) and tighten.
- Push trim ring (D) into position at the base of column (E).

(FIG 4)

- Fully push spout (F) into column (E) and tighten grub screw (G), with allen key enclosed.

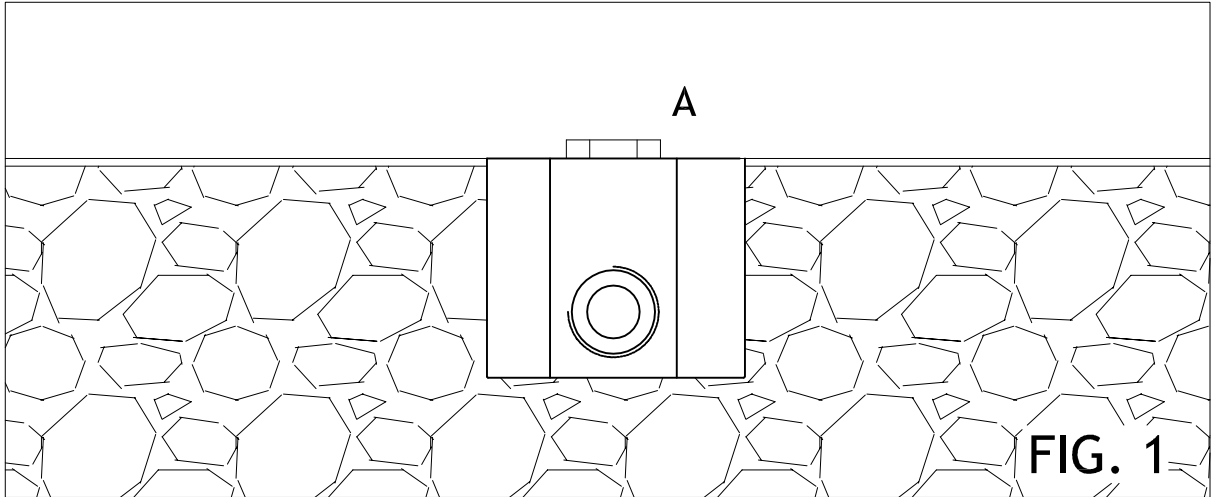


FIG. 1

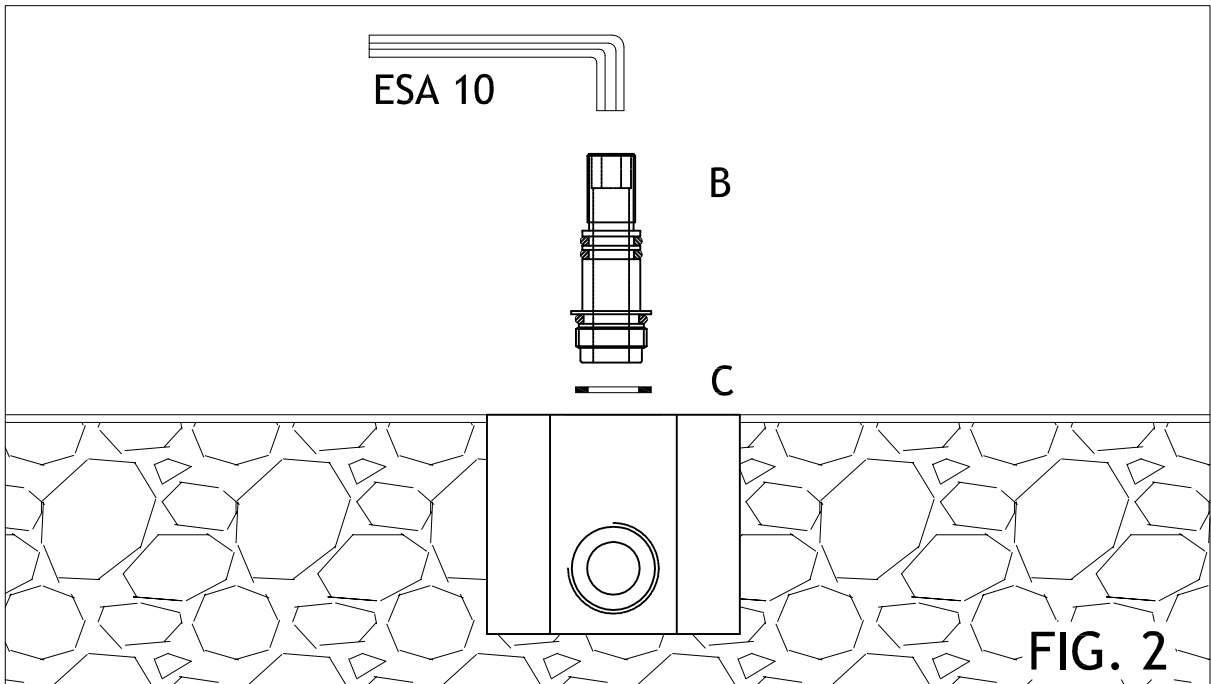


FIG. 2

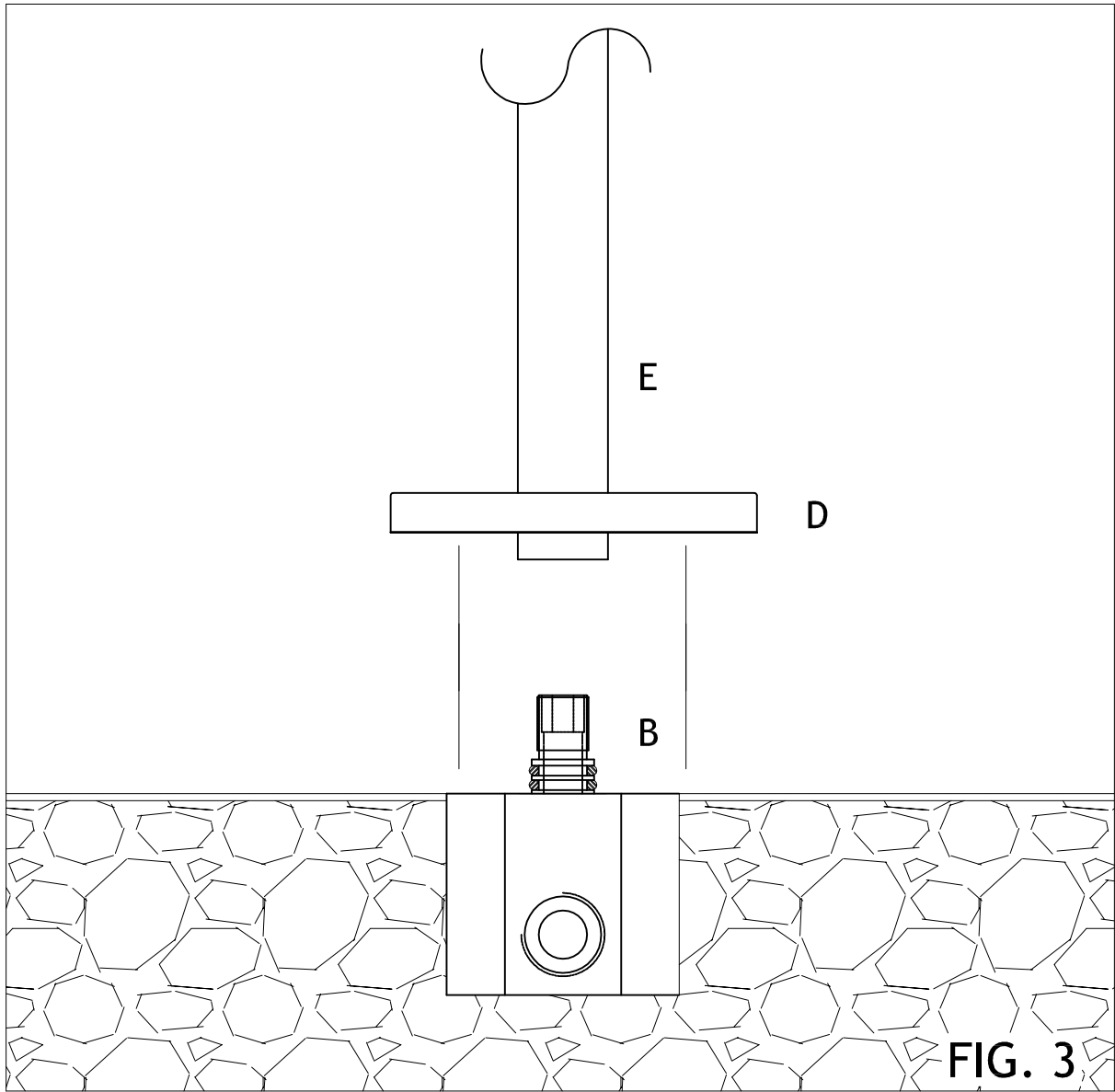


FIG. 3

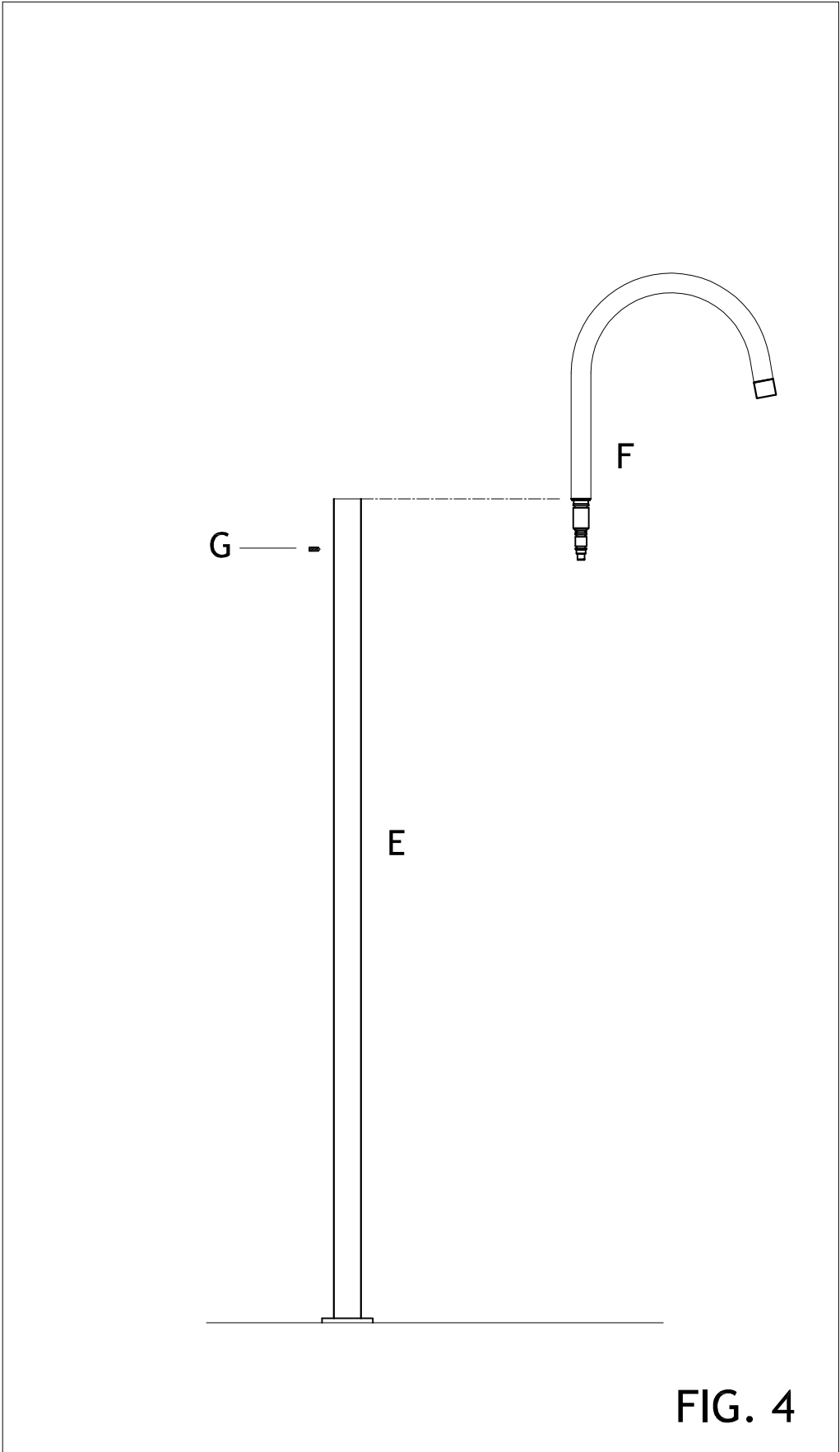
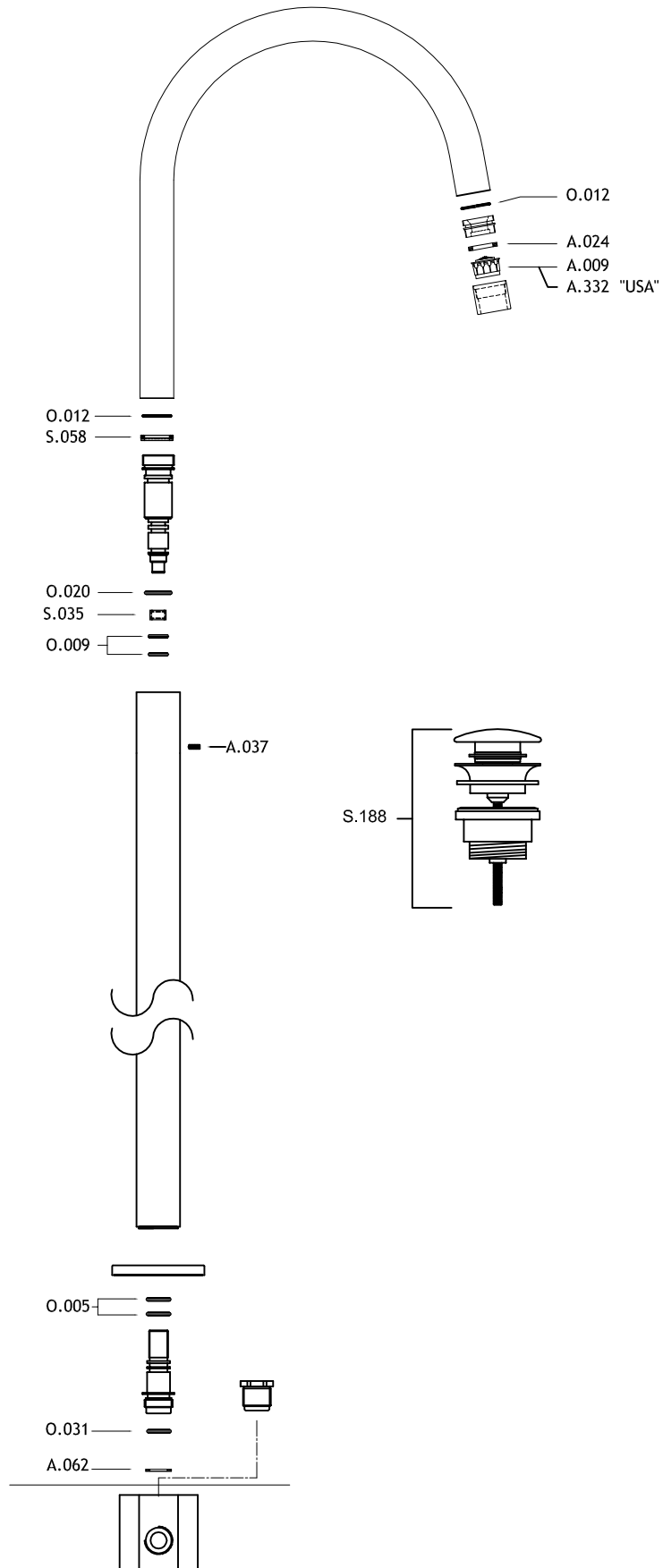


FIG. 4

ELENCO PARTI  
SPARE PARTS



AC980