

SHOWER VALVES SERIES Ø42

Instruction Manual

Trim parts
assembly

MB439

MB440

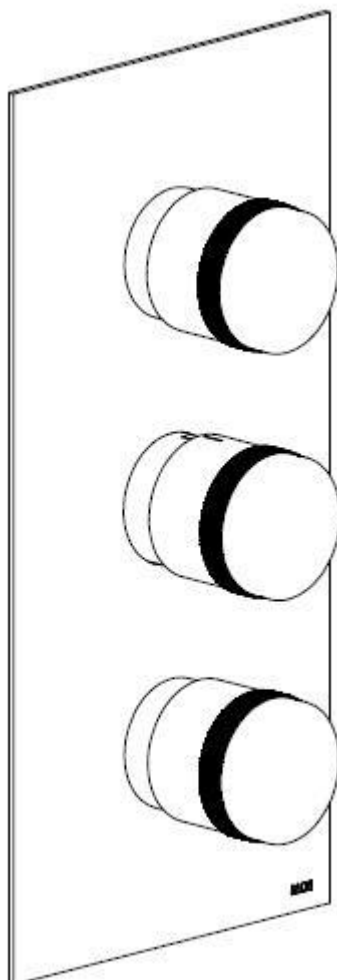
MB441

MB442

MB443

MB444

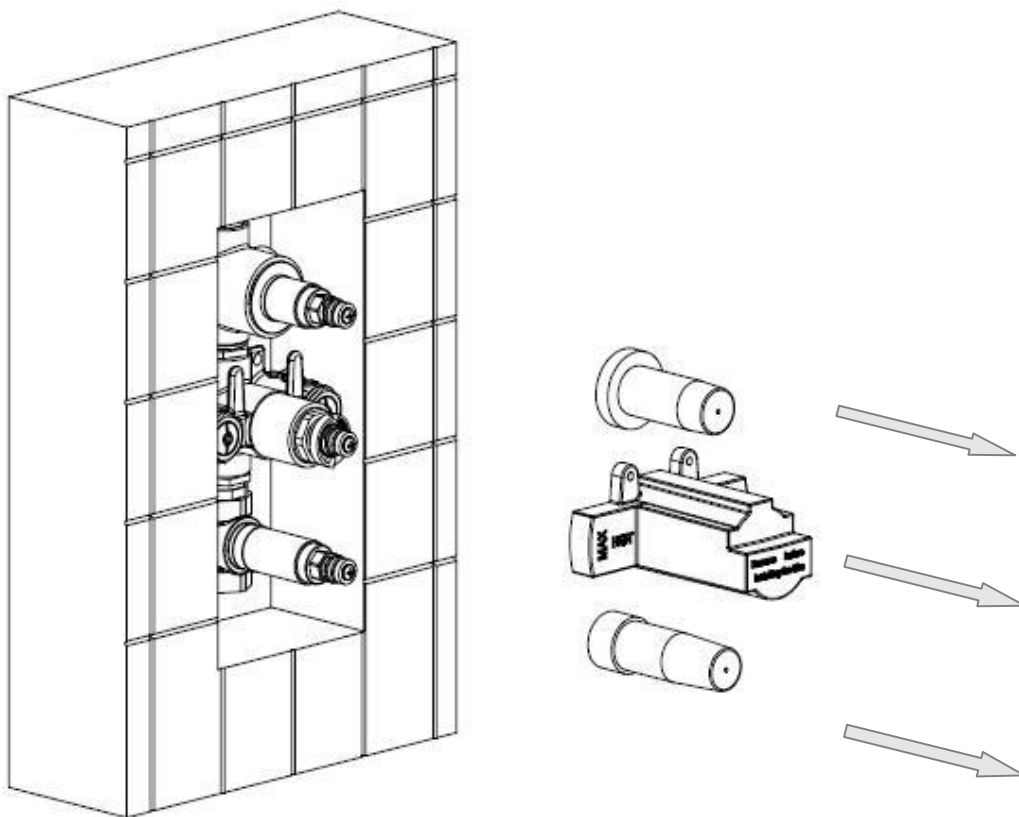
MB446



INSTALLATION

TRIM ASSEMBLY

Remove protection covers from Rough in valve



Temperature check - Temperature setting ring (cam)

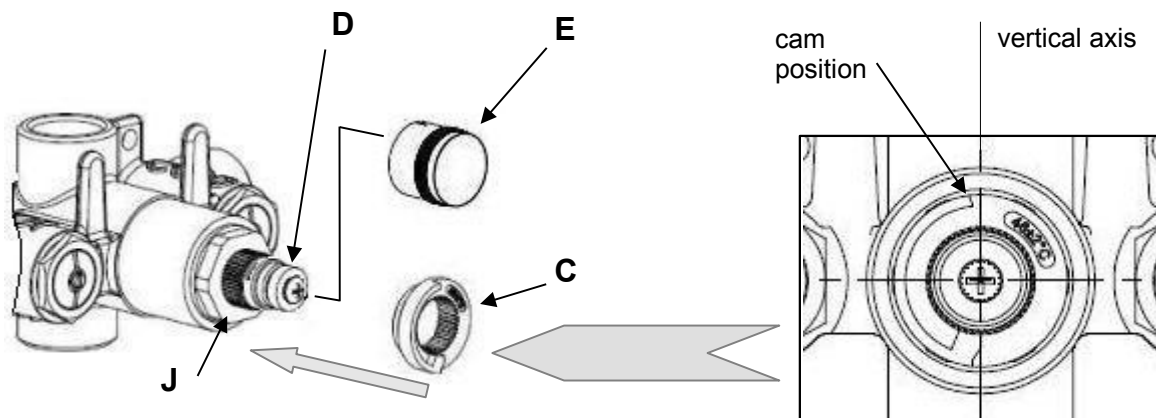
Rotate insert **D** by using handle **E** for setting temperature at 38°C.
(check temperature with a thermometer).

Remove handle and insert cam **C** onto shaft **J**.

Assemble handle **E** with reference line in vertical position.

Fully rotate handle **E** counterclockwise and check that water temperature is around 42°C.

Remove handle **E** for fitting other trim parts as per further instructions.

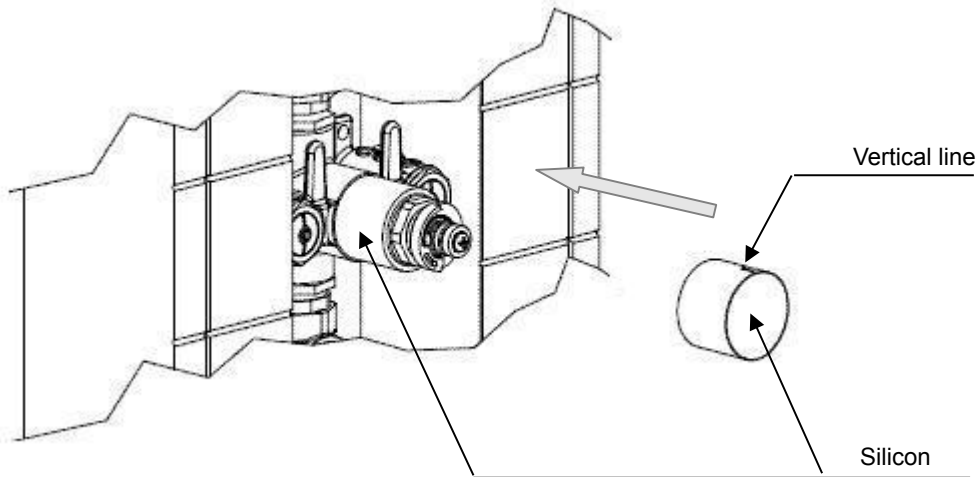


INSTALLATION

TRIM PARTS ASSEMBLY

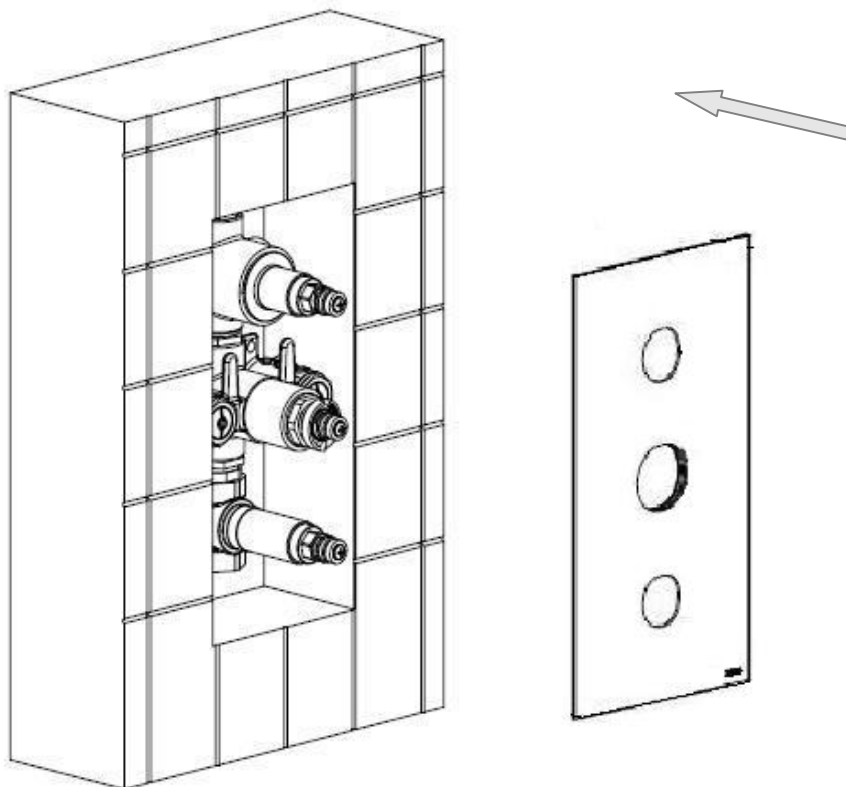
Fixing thermostatic valve trim ring

After checking the correct deepness of the valve in the wall so that no shaft extensions are necessary, fix trim ring onto valve's body with the silicon supplied in the carton keeping the reference line in vertical position (12 O' Clock). Carefully remove with a blade any silicon residuals.



Fixing trim plate

Allow the silicon of thermostatic trim ring to set.
Apply some silicon on the trim plate and place it in position.



INSTALLATION

TRIM PARTS (guide lines valid for all models)

Fixing trim rings

Check that O-ring gaskets **X** are seated into trim rings **Y**.
Fully screw rings **Y** onto shafts **A** and **B**.

Fixing thermostatic valve handle

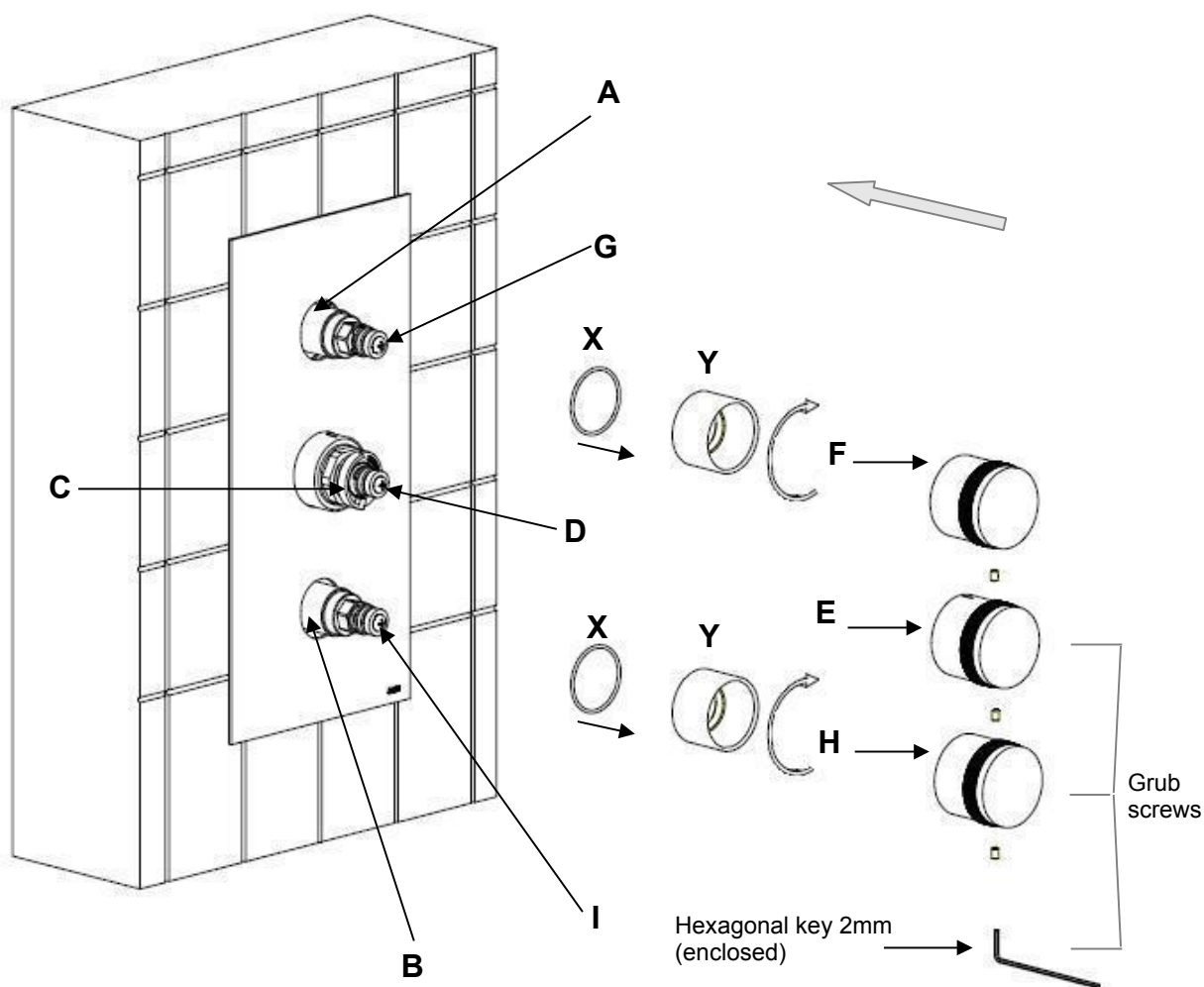
After positioning cam **C** as indicated in page 1, push handle **F** onto shaft insert **D** checking that the two reference lines coincide.
Tighten grub screw with hexagonal key enclosed.

Fixing diverter knob

Check that diverter is in the closed position (in the centre).
Fit handle **F** onto shaft insert **G** so that grub screw hole is on the bottom. Tighten grub screw and check that the handle can turn left and right.

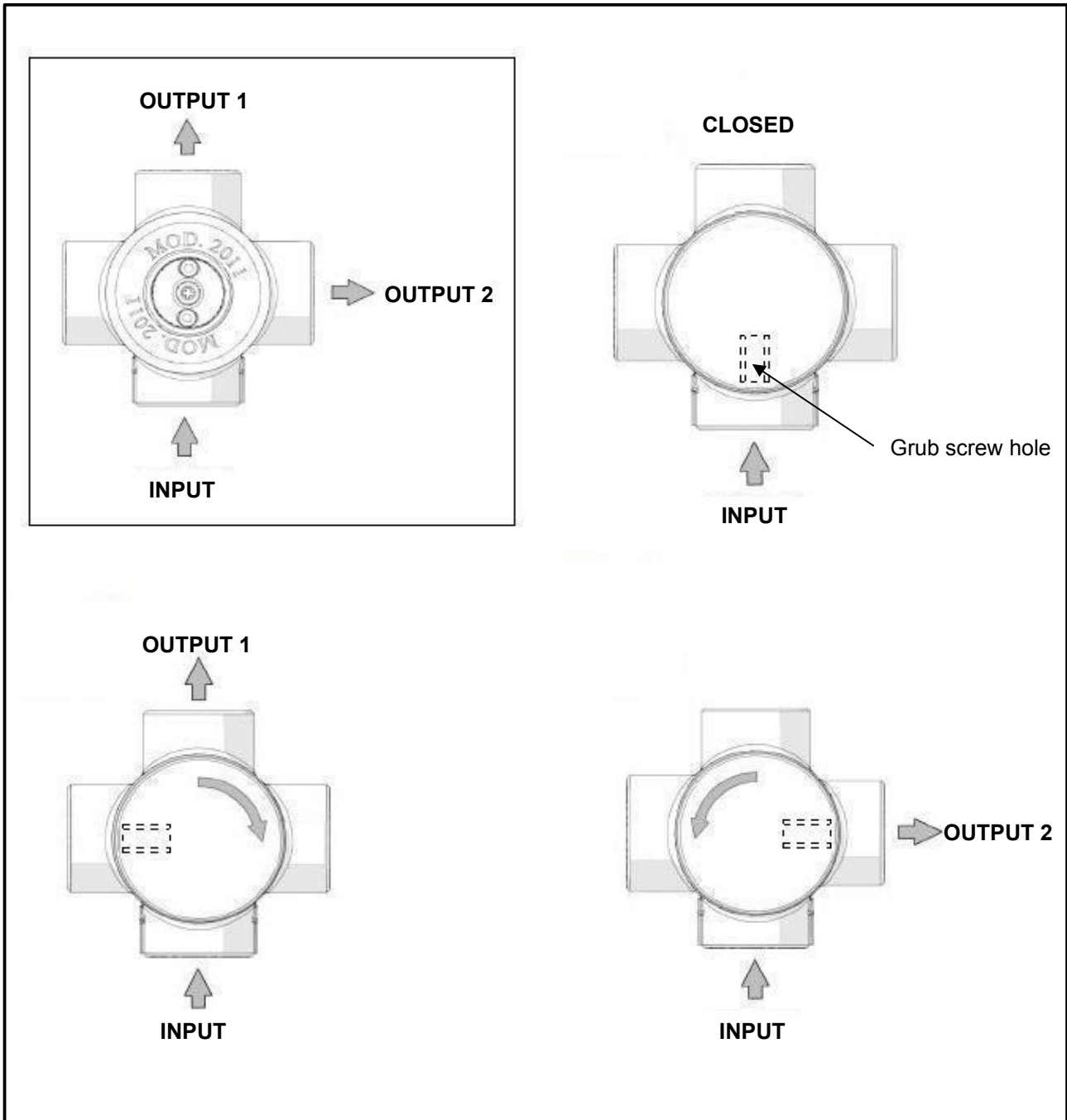
Fixing volume control knob

Check that volume control is set on closed position. Place handle **H** onto shaft insert **I** with grub screw hole on the bottom.
Tighten grub screw and check that the knob can open by rotating counterclockwise



INSTALLATION

2 WAY DIVERTER - FUNCTIONAL SCHEME



SHOWER VALVES SERIES Ø42

Instruction Manual

Maintenance

MB439

MB440

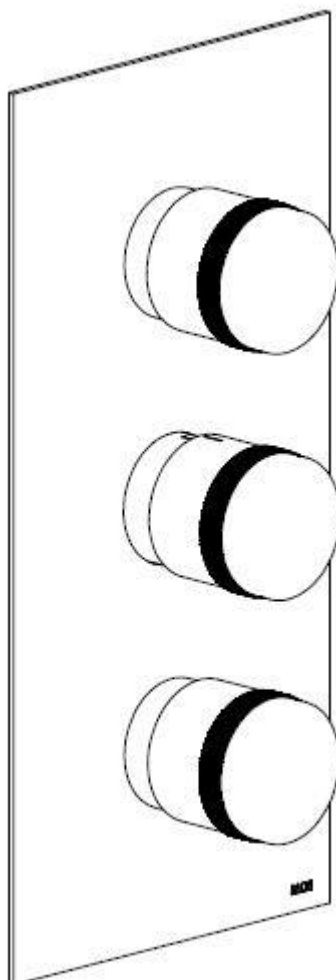
MB441

MB442

MB443

MB444

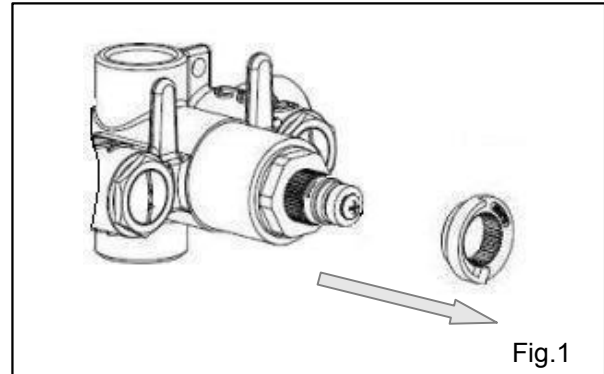
MB446



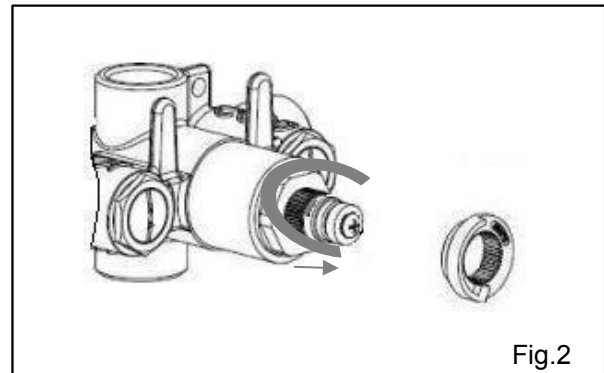
MAINTENANCE

CLEANING / REPLACING THERMOSTATIC VALVE

- 1) Close water mains
- 2) Remove handles and eventually the trim rings from the plate depending from the model.
- 3) Remove trim plate
- 4) Remove cam (Fig.1)

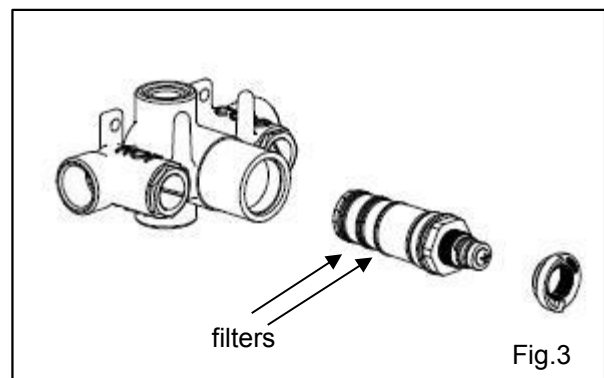


- 5) Unscrew valve counterclockwise with a 30 mm spanner (Fig.2)

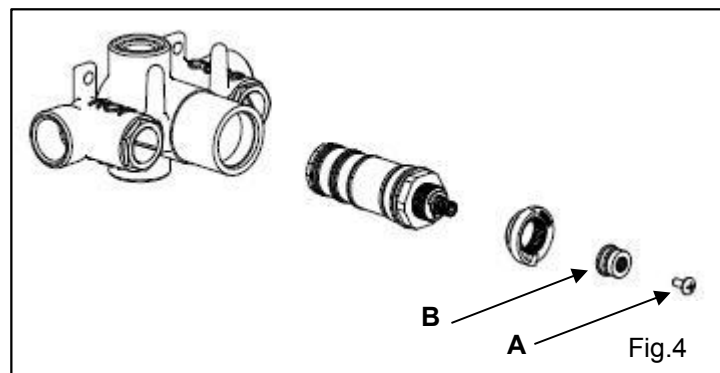


- 6) Remove thermostatic valve and clean filters under running water. In the case of limescale, leave in vinegar for 12 hours. Before reassembling in the body, lubricate O-ring gaskets (Fig.3)

If the O-ring gaskets are damaged, replace them by ordering part number O.062.



- 7) If the valve needs replacing, remove also screw **A** and insert **B** which are to be used on the new valve (Fig.4)



MAINTENANCE

CLEANING FILTER / CHECK VALVE

- 1) Close water mains
- 2) Remove handles and eventually the trim rings from the plate depending from the model.
- 3) Remove trim plate
- 4) Remove filter housing by unscrewing counterclockwise with spanner 27 mm (Fig. 5)

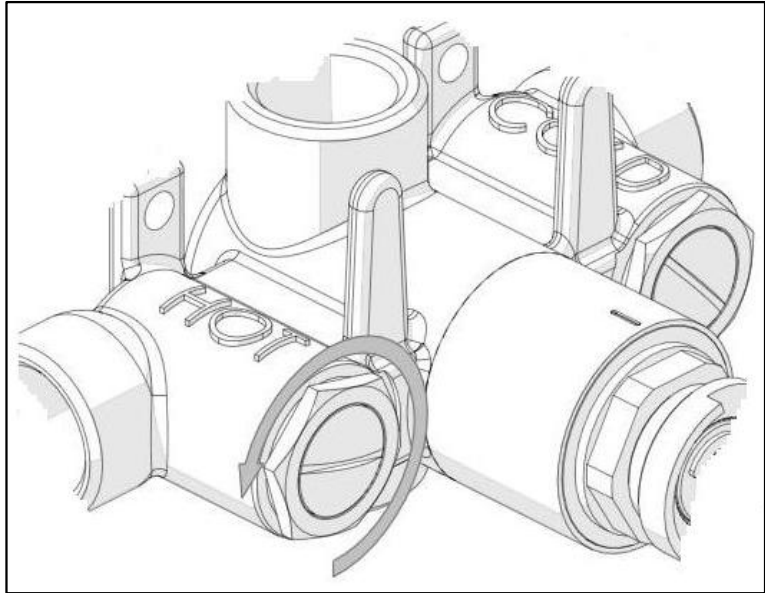


Fig. 5

- 5) Clean filter under running water or leave it 12 hours in vinegar in the case of limescale (Fig.6)

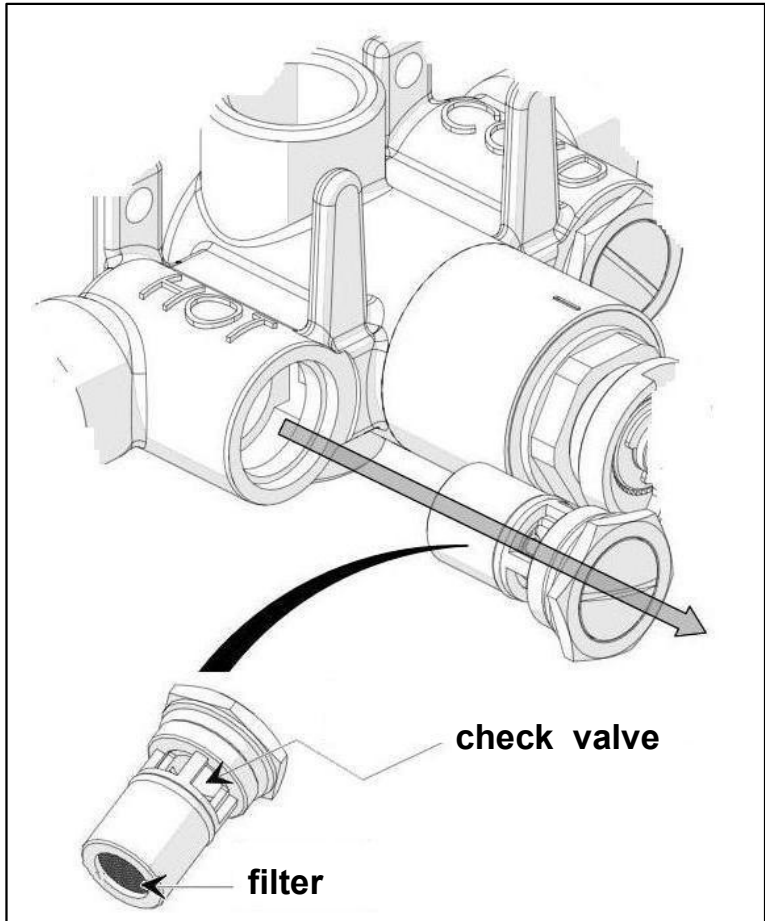
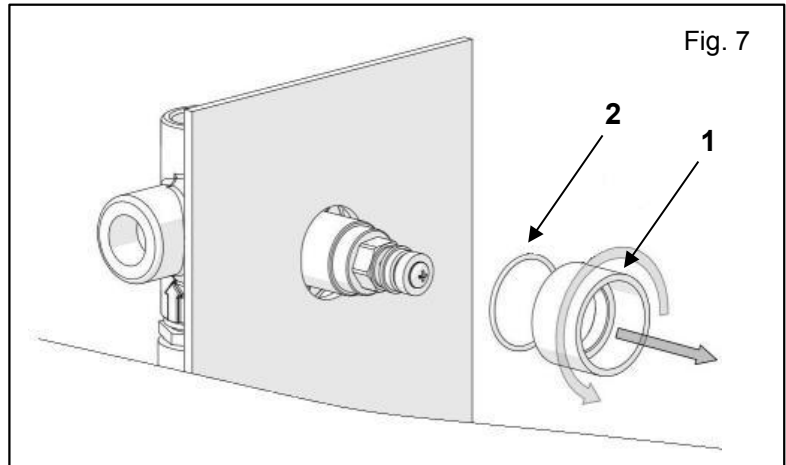


Fig. 6

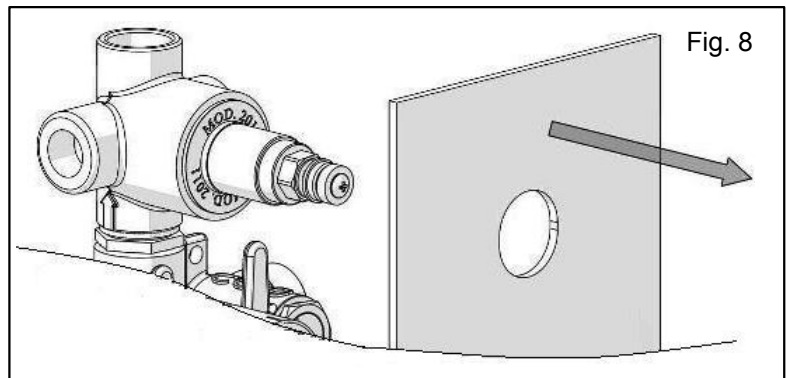
MAINTENANCE

REPLACING DIVERTER CARTRIDGE

- 1) Close water mains
- 2) Unscrew counterclockwise trim rings (1) (1 or 2 depending on the model) taking care of not damaging the O-ring gaskets (2). (Fig.7)



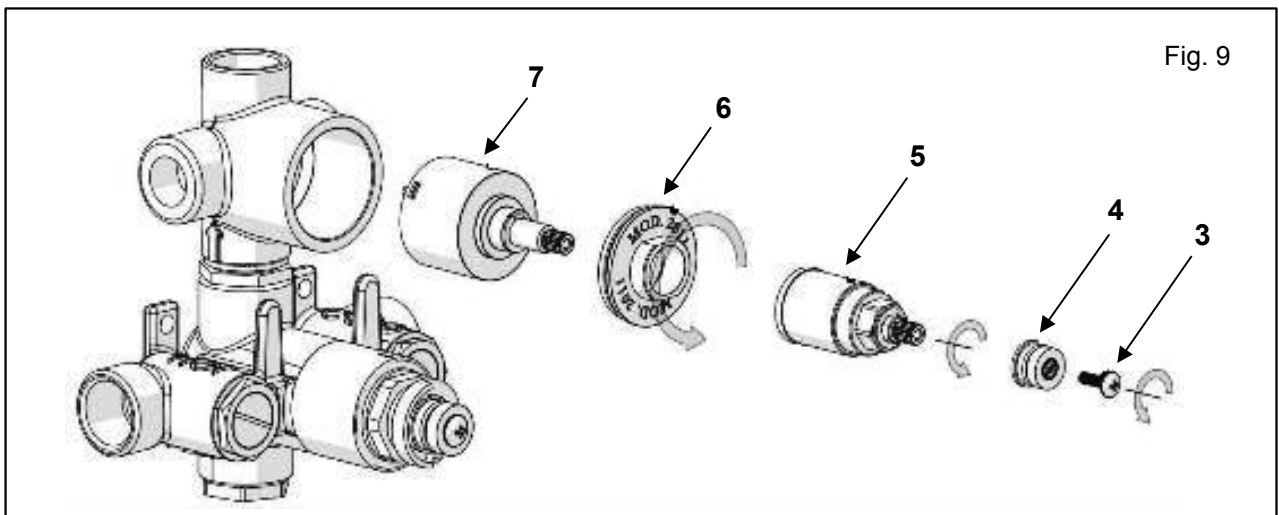
- 3) Remove trim plate. (Fig.8)



- 4) Remove screw (3), shaft insert (4) and shaft (5).
Unscrew nut (6) with a spanner 21mm and remove diverter valve (7).

- 5) Before replacing the diverter, clean and lubricate its seating.

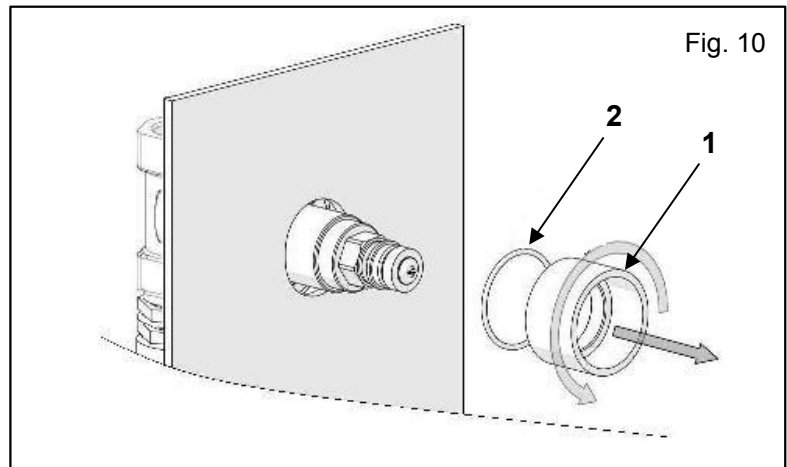
- 6) Assemble diverter and all components after positioning correctly the 2 pins at its base. (Fig.9)



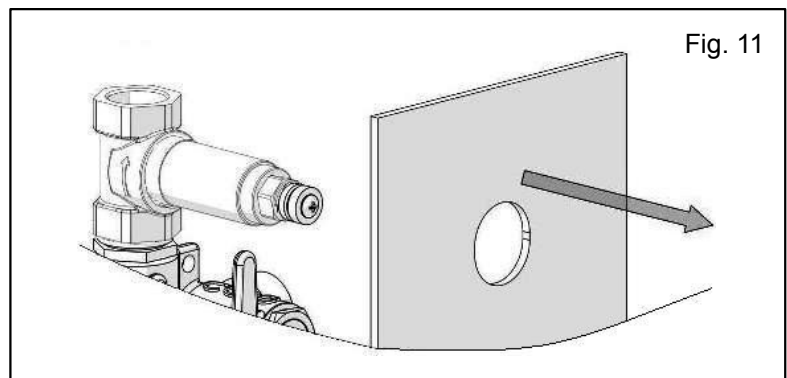
MAINTENANCE

REPLACING VOLUME CONTROL VALVE

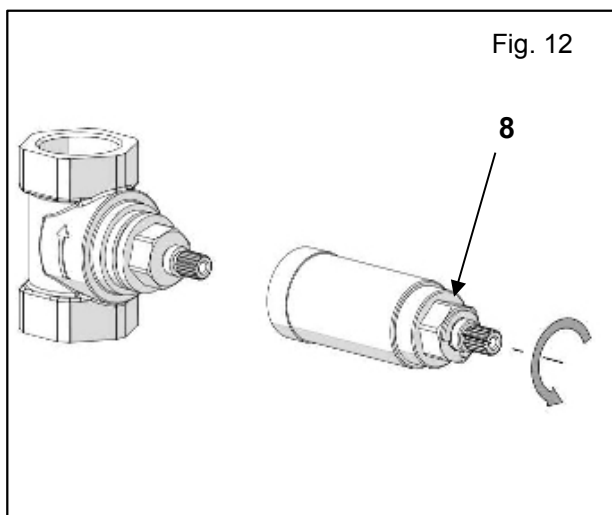
- 1) Close water mains.
- 2) Remove handles and trim rings (1) (one or two depending on the model) taking care of not damaging O-ring gaskets (2) (Fig.10)



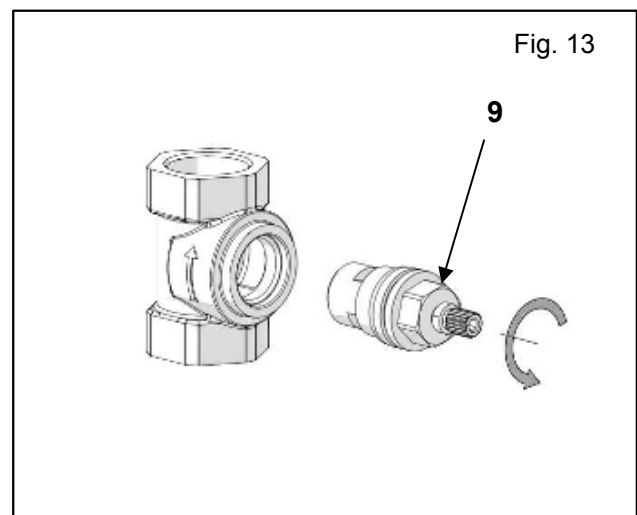
- 3) Remove trim plate (Fig.11)



- 4) Unscrew threaded shaft (8) with a spanner 17 mm (Fig.12)



- 5) Unscrew valve (9) with an hexagonal key 17 mm (Fig.13)



Warranty

MGS products are covered by a warranty of 5 years from purchasing date on all stainless steel parts and of 2 years on all other components. During this period, parts with construction defects in materials or workmanship will be replaced free of charge. This warranty will not respond in the case of faults caused by unsuitable or improper use, wrong installation, natural wear, improper or careless treatment, wrong usage of cleaning or maintenance products. MGS will not assume liability for labour expended, freight cost or damages accruing from the use of the material purchased from us. If material is defective, the limit of damage is the price of the defective material. Proof of purchase (original sales receipt) from the original consumer purchaser must be made available to MGS for all warranty claims. The warranty is not transferable and is extended solely to the original purchaser of the product.

Garantie

Auf MGS Produkte gewähren wir Ihnen 5 Jahre Garantie ab Kaufdatum für alle Edelstahlteile und 2 Jahre für alle anderen Komponenten.

Während diese Zeiträume werden alle Teile, die einen Konstruktionsfehler aufweisen, kostenlos ersetzt. Diese Garantie wird nicht gewährt bei unsachgemäßem Gebrauch, falscher Montage, nachlässiger Handhabung, falscher Anwendung von Reinigungsmitteln und fehlender oder mangelhafter Wartung. MGS ist nicht verantwortlich für eventuelle Eingriffskosten zu Hause des Kunden. Im Schadenfall entspricht die Rückerstattung des Schadens dem Preis des defekten Materials. Die Garantie ist nicht übertragbar und der Käufer muss Kaufdatum und Originalquittung vorweisen.

Condizioni di garanzia

Le parti in acciaio dei rubinetti MGS sono garantite per 5 anni, mentre gli altri componenti per 2 anni (cartucce, flessibili, ecc.). Durante il periodo di garanzia tutte le parti riportanti difetti dovuti a vizi di fabbricazione saranno sostituite gratuitamente.

Questioni legate a un utilizzo anomalo o inadeguato, installazione difettosa, normale usura, uso negligente o errato, impiego di prodotti per la pulizia inadatti e a danni di trasporto non sono coperte dalla garanzia.

MGS non è responsabile per eventuali costi di intervento al domicilio del cliente finale. In caso di difetto il limite del danno rimborsato è definito dal prezzo del materiale difettoso. L'acquirente per avere diritto alla garanzia deve dimostrare la data di acquisto con la prova di acquisto originale.

Garantie

Les robinets MGS sont garantis pour une période de 5 ans pour toutes les parties en acier inoxydable et de 2 ans pour les autres composants.

Pendant la période de garantie toutes les parties avec un défaut de construction seront remplacées gratuitement.

La garantie n'a plus de validité dans les cas de mauvaise utilisation tels qu'installation défectueuse, usage impropre, mauvais nettoyage, etc... De même pour les dommages de transport et la normale usure. MGS n'est pas responsable pour les frais d'intervention au domicile du client final. Lorsqu'un robinet est défectueux la limite du défaut ne peut pas dépasser le prix de la pièce défectueuse.

La garantie commence à la date d'achat du robinet et la facture originale est nécessaire afin d'établir la validité de la garantie

MGS Progetti srl

Corso Milano 189 28883 Gravellona Toce (VB) Italy

Tel.: +39 0323 865218 Fax +39 0323 865215

www.mgstaps.com E-mail: info@mgstaps.com