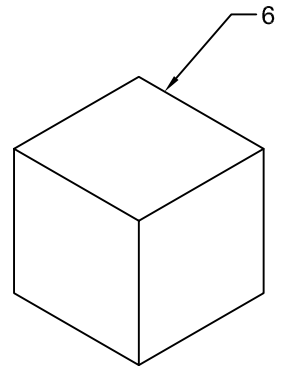
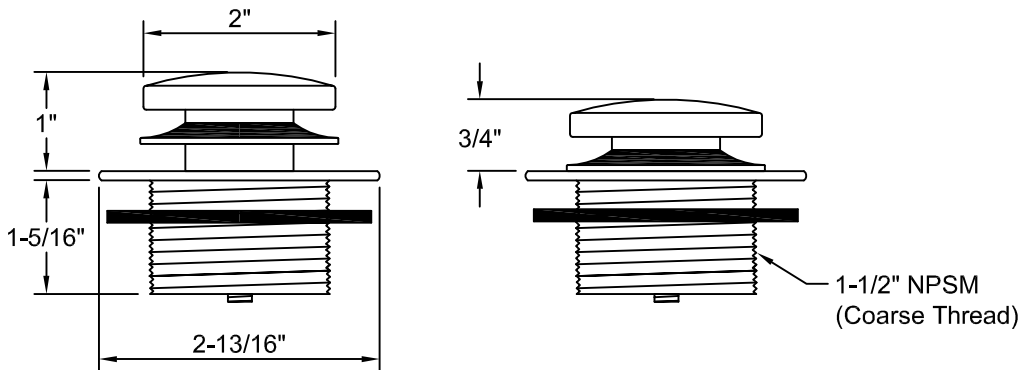
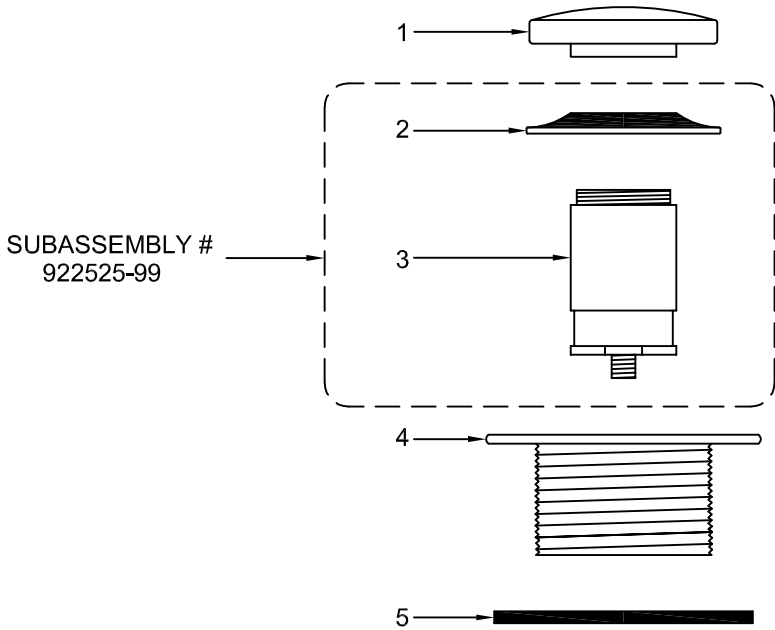


NOTES:

- 1. XX DENOTES FINISH
- 2. ALL DIMENSIONS ARE IN INCHES



Pos.	Description	Qty.	Part #
1	CAP, DRAIN, TUB, TOE ACTIVATED, 9238	1	922621-XX
2	WASHER, RUBBER, CAP, DRAIN, TUB, TOE ACTIVATED, 9238	1	922623-99
3	PUSH ACTUATOR, 9238	1	922624-99
4	STRAINER, DRAIN, TUB, TOE ACTIVATED, 9238	1	922622-XX
5	GASKET, STRAINER, 2-13/16", OD	1	922620-99
6	CARTON, KRAFT, 3" X 3" X 3"	1	33010802


California Faucets®
 info@calfaucets.com
 www.calfaucets.com

DESCRIPTION: TOE ACTIVATED TUB DRAIN
NEXT ASSEMBLY: 9238 **USED ON: N/A**
DRAWING NUMBER: 9238

STARTING DATE: 10/18/05
REVISION DATE: 08/30/07
APPROVED BY: J. WOJTASZEK
SCALE: NONE
DRAWN BY: W. LINARES