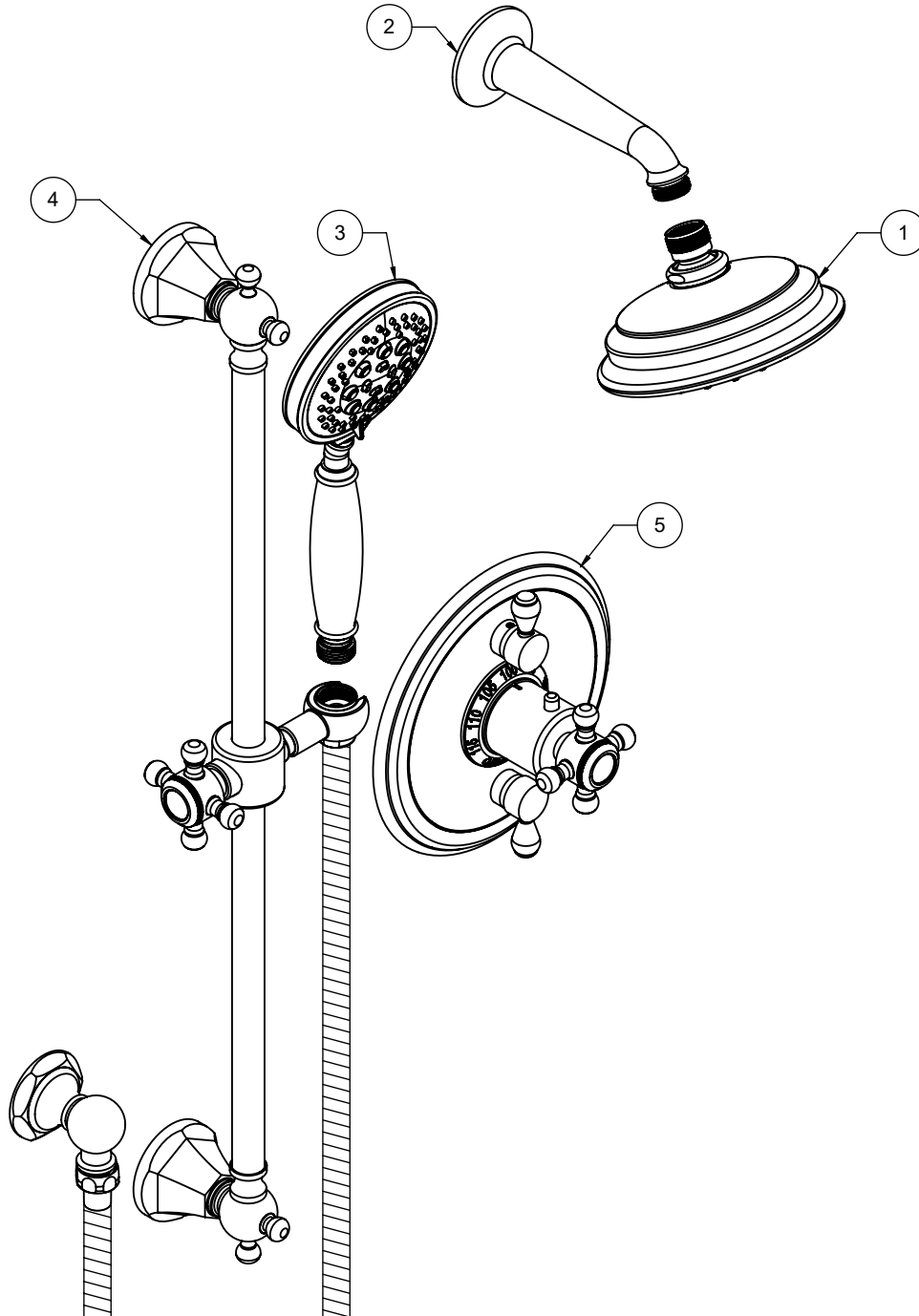




"ZZ" denotes finish, "FR" denotes flow rate

Item	Model	Description	Links
1	SH-073.FR-ZZ	5-5/8" Multi-Function Showerhead	Specification Sheet
2	SH-01.6-ZZ	One Piece 6" Shower Arm & Flange	Specification Sheet
3	HS-073.FR-ZZ	4-1/8" Brass Multi-Function Handshower	Specification Sheet
4	9129-47-ZZ	Slide Bar Handshower Kit	Specification Sheet
5	TO-TH2L-47-ZZ	StyleTherm® Trim Only with Dual Volume Control	Specification Sheet





California Faucets®

SHOWERHEAD

5-5/8" MULTI-FUNCTION TRADITIONAL

Features

- 1/2" FIP inlet
- 3 function: rain, air & massage
- Self-cleaning rubber jets
- Solid brass pivot ball & body
- 5-5/8" diameter, gray face
- Available in 28 finishes including 13 PVD finishes
- Replace .FR with desired max flow rate:
 - SH-073.25 for 2.5 gpm
 - SH-073.20 for 2.0 gpm
 - SH-073.18 for 1.8 gpm

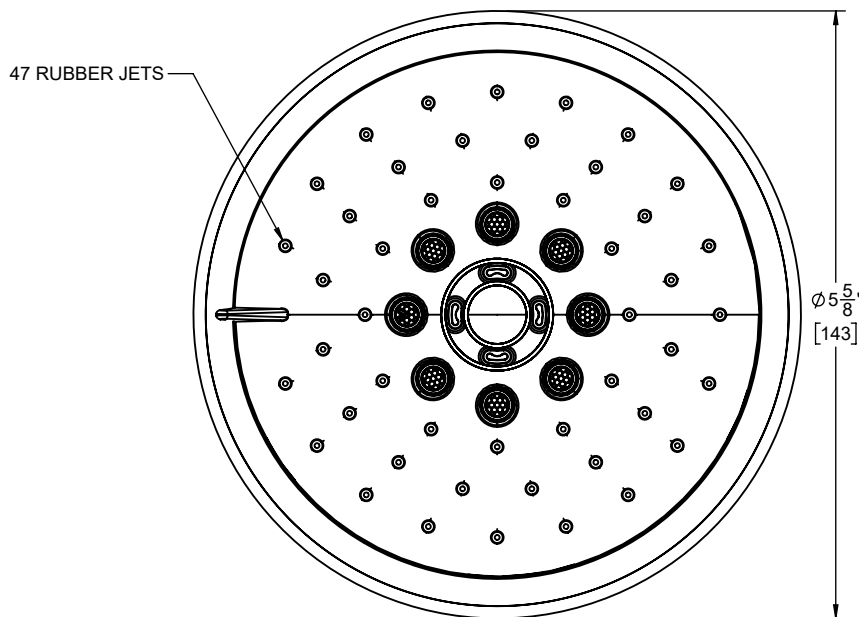
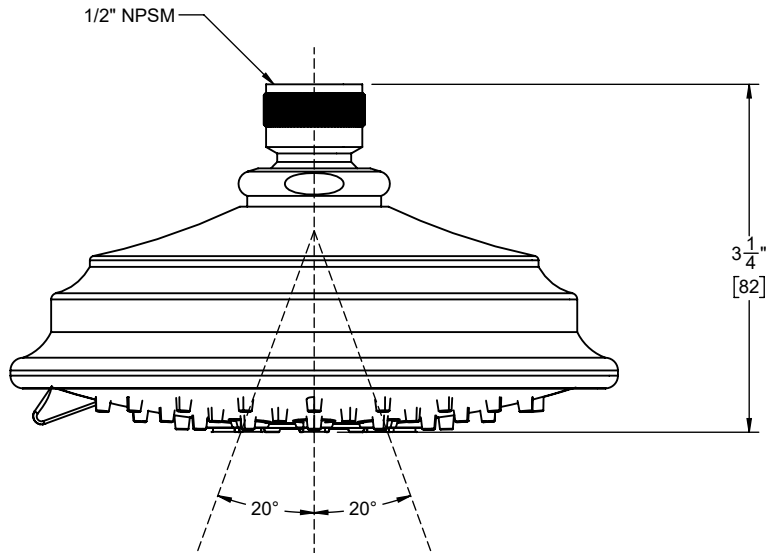
SH-073.25
SH-073.20
SH-073.18



Codes/Standards

Product meets or exceeds the following:

- ASME A112.18.1/CSA B125.1
- CEC (1.8 gpm)
- DOE (2.5, 2.0, & 1.8 gpm)
- Commonwealth of MA
- EPA WaterSense Showerhead (2.0 gpm)



SPECIFICATION SUBJECT TO CHANGE WITHOUT NOTICE

DIMENSIONS SHOWN TO NEAREST 1/16"
[DIMENSIONS SHOWN TO NEAREST 1MM]



California Faucets®

Shower Arm

One Piece 6" Shower Arm & Flange

SH-01.6

Features

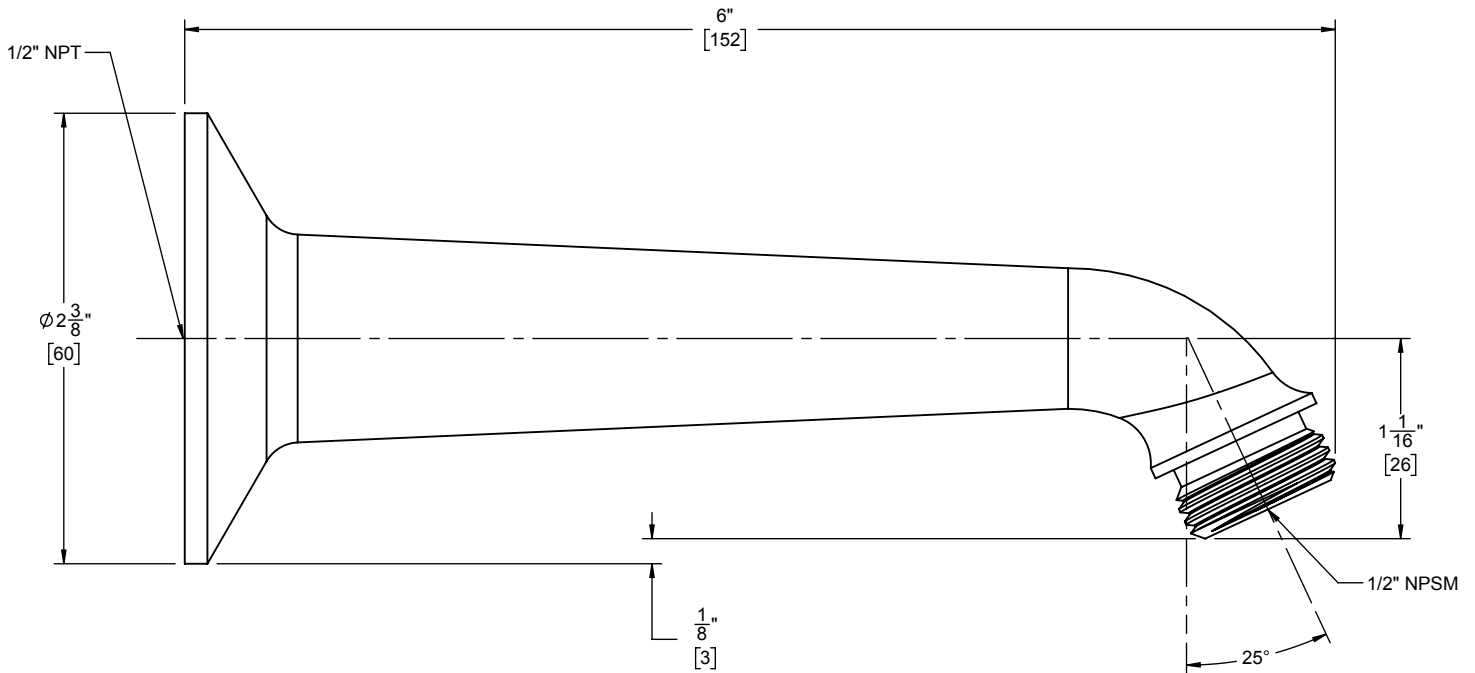
- Available in 28 finishes including 13 PVD finishes
- All brass construction

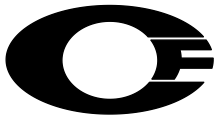


Codes/Standards

Product meets or exceeds the following:

- ASME A112.18.1/CSA B125.1





California Faucets®

Handshower

4-1/8" MULTI-FUNCTION TRADITIONAL HANDSHOWER

Features

- 1/2" MIP inlet
- 3 function handshower: rain, air, & massage
- Self cleaning rubber jets
- Brass body
- 4-1/8" diameter, gray face
- Replace .FR with desired max flow rate:
 HS-073.25 for 2.5 gpm
 HS-073.20 for 2.0 gpm
 HS-073.18 for 1.8 gpm
- Over 28 finishes including 13 PVD finishes

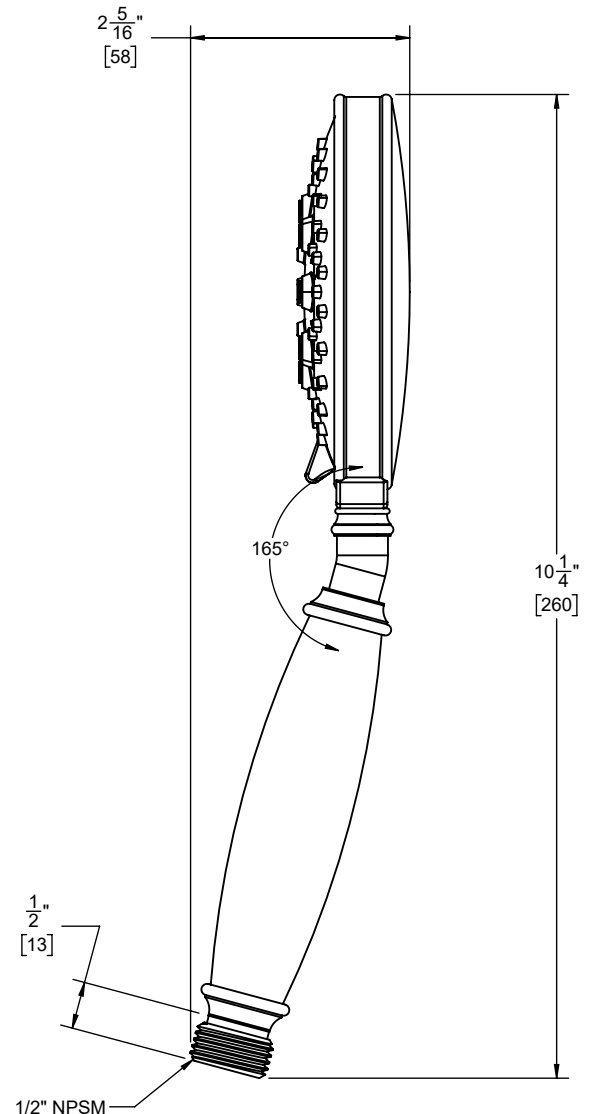
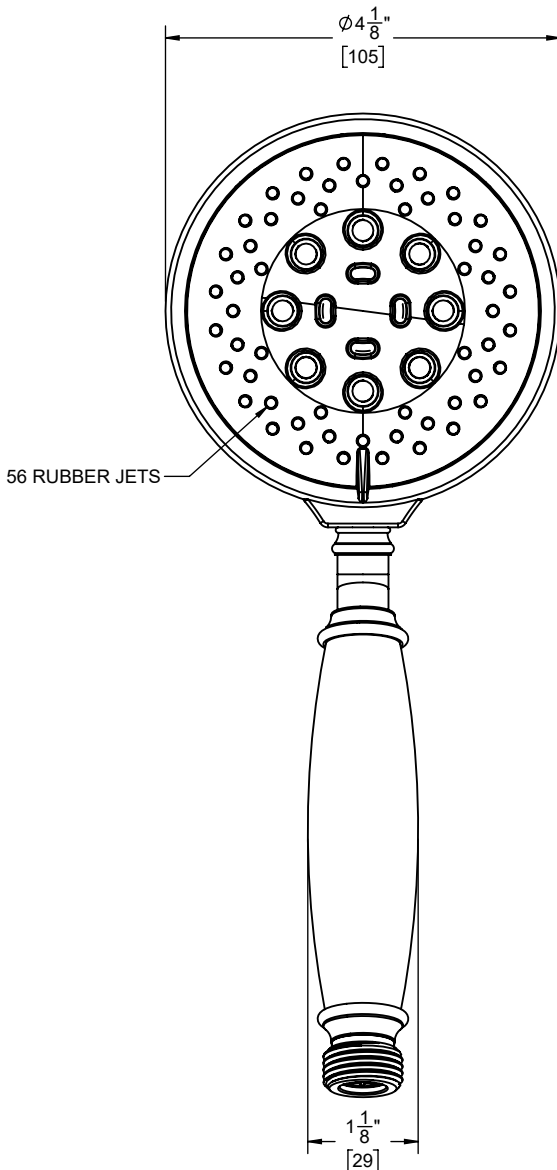
Codes/Standards Applicable

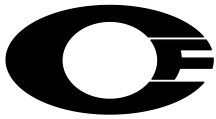
Product meets or exceeds the following:

- ASME A112.18.1/CSA B125.1
- CEC (1.8 gpm)
- DOE (1.8, 2.0, & 2.5 gpm)
- Commonwealth of MA
- EPA WaterSense (2.0 gpm)



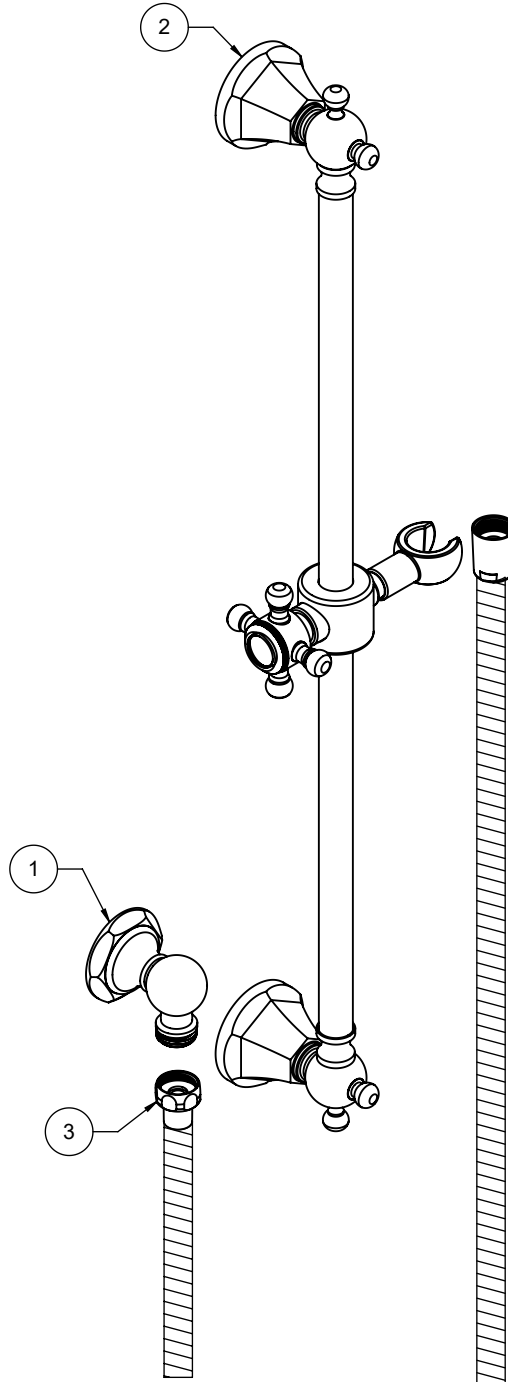
HS-073.18
HS-073.20
HS-073.25





"ZZ" denotes finish

Item	Model	Description	Links
1	SH-10-47-ZZ	Decorative Supply Elbow	Specification Sheet
2	SB-47-ZZ	Wall Mounted Slide Bar	Specification Sheet
3	HS-68-ZZ	68" Brass Hose for Handshower	Specification Sheet

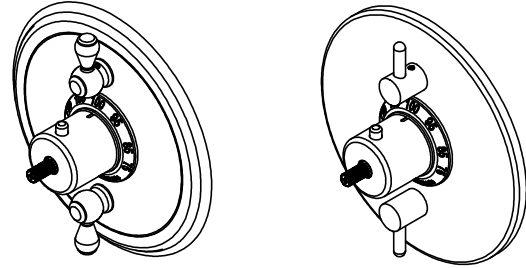




Features

- Over 30 finishes including 12 PVD finishes
 - All brass construction
 - Contemporary or traditional faceplate
 - Engraved brass temperature ring
 - 100°F safety stop button with manual override
 - Contemporary or traditional volume control handle
 - Tub spout flow rate: 10 gpm (37.9 L/m) max
 - Handles & tub spouts to match all California Faucets series
- See www.calfaucets.com for complete selection

TO-TH2L-XX



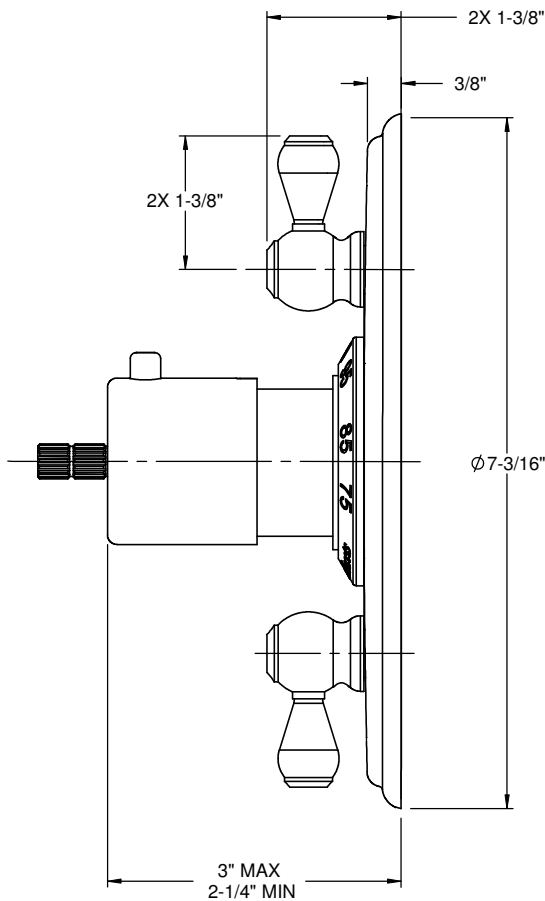
Codes/Standards Applicable

Specified model meets or exceeds the following:

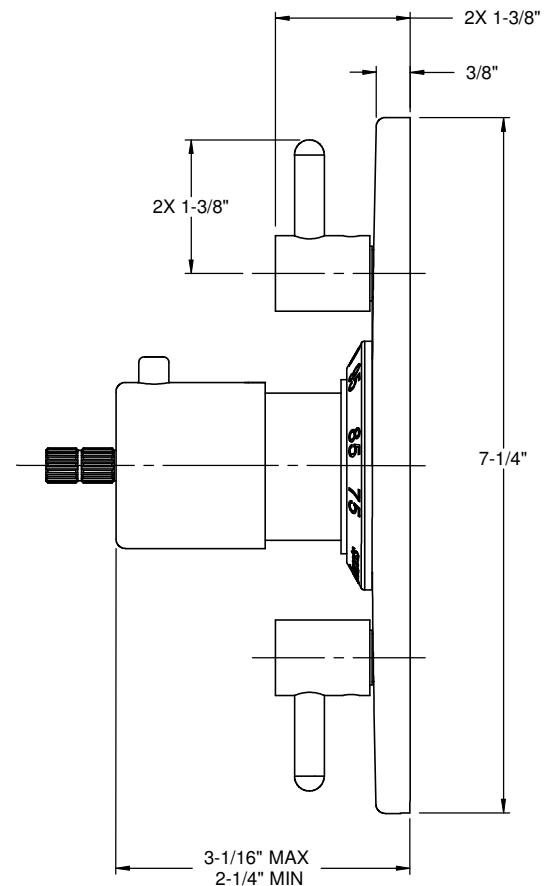
- ASME A112.18.1-2005/CSA B125.1-05
- ASSE 1016
- ADA (with lever handles)
- Listed IAPMO/UPC®

XX = Series Handle & Tub Spout

Traditional Faceplate



Contemporary Faceplate



FOR TUB SPOUT DIMENSIONS SEE WALL TUB SPOUT SPEC SHEETS

ALL DIMENSIONS SHOWN TO NEAREST 1/16"