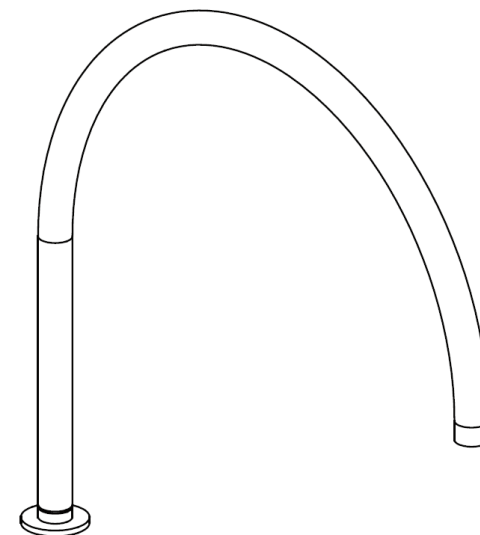


John Pawson
by
COCOON



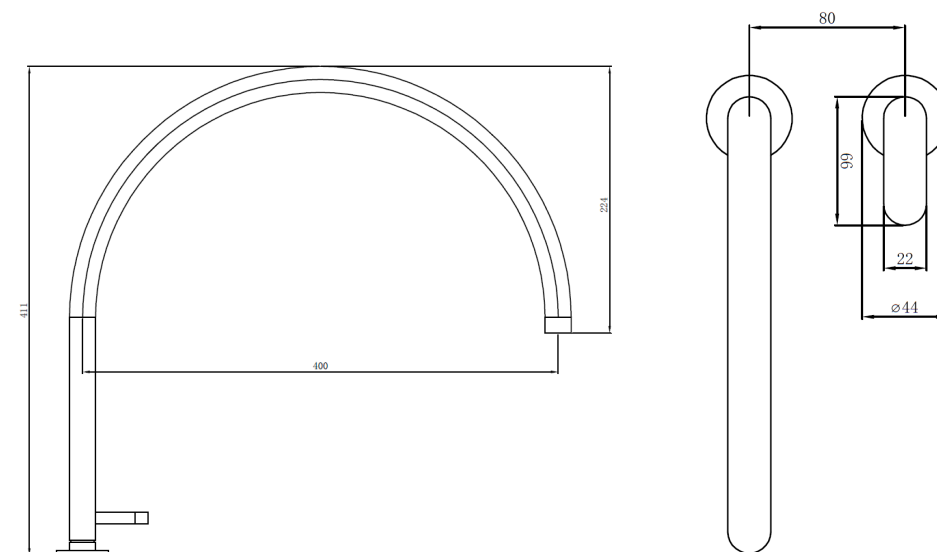
JP-11.4



Please ensure you comply with the following instructions to optimise performance of the mixer:

- All pipework must be thoroughly flushed prior to installation
- For USA installation, please fix the USA NPT adapters on top of the pre-installed water connections
- Always first test the system with water pressure before closing the walls
- Optimal water pressure 3 BAR / temperature should not exceed 65°C/149°F
- Please read all installation instructions carefully

Failure to comply with manufacturers recommendations will void warranty



John Pawson by COCOON

JP11.4

Operating conditions

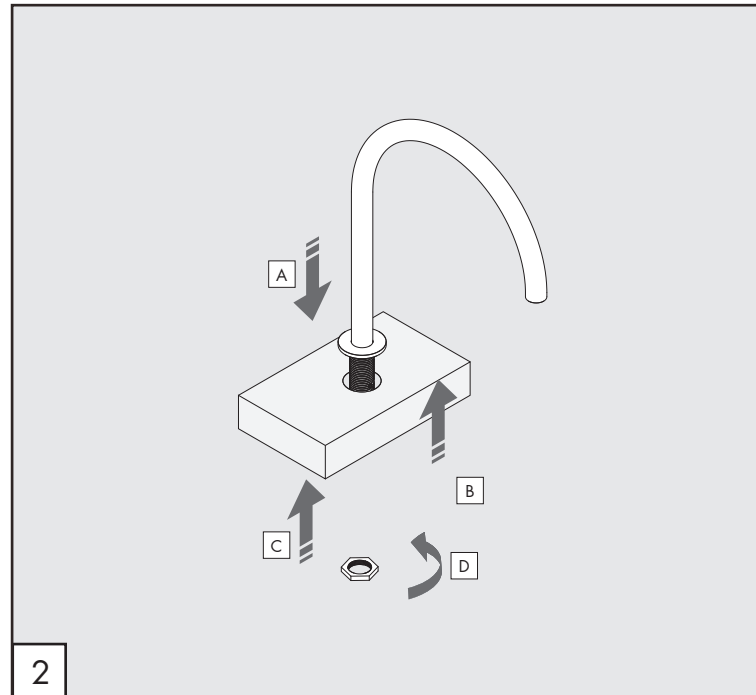
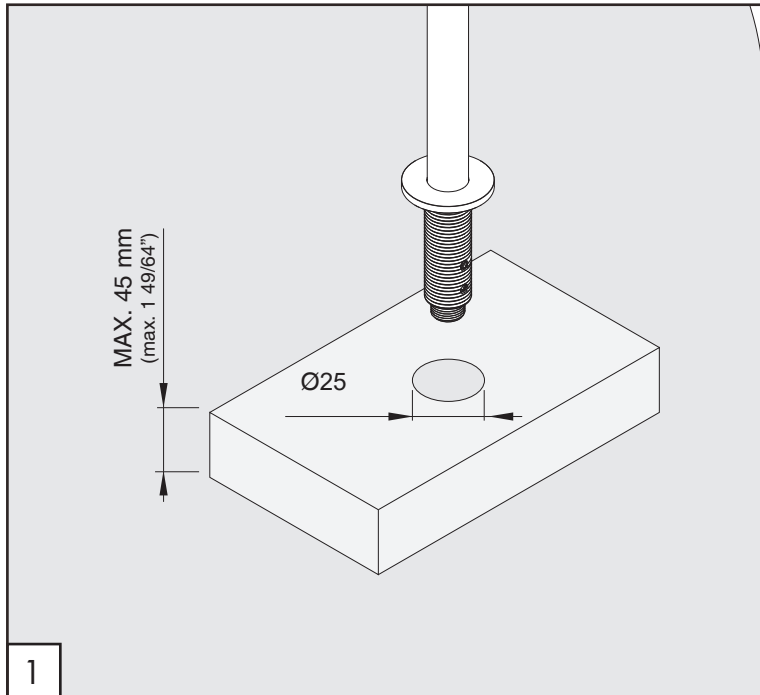
-Recommended flow temperature	≤65°C
-Maximum flow temperature momentary	≤90°C
-Minimum flow pressure	2 bar
-Maximum flow pressure	5 bar
-Recommended operating pressure	3 bar
-Test pressure	10 bar

Attention of the plumber

- The pipes have to be rinsed thoroughly before installation
- Avoid pressure differences between hot /cold water supply
- Use of pressure reducer when static pressure is higher than 5 bar to avoid damage the cartridge.

AERATORI IN DOTAZIONE / AERATORS INCLUDED

 Aeratore montato / Mounted aerator
5.5 l/min / 1.2 gpm



PULIZIA / CLEANING / SAUBEKEIT / LIMPIEZA / NETTOYAGE

