

LAB-01-SENSOR-TAP

Technical warnings

The pipes have to be rinsed thoroughly in order to remove the debris before installation.

Switch off the electrical source & shut down the water supply before connecting the exposed parts.

Keep clean at the sensor window while proceeding the installation.

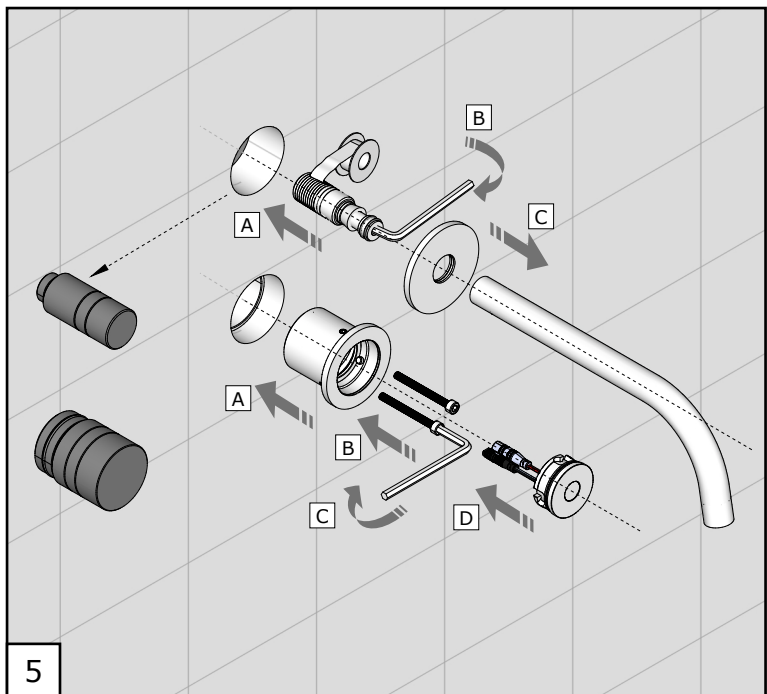
Tighten the battery cover closely to avoid being moisture at the battery pole under DC type version.

Strictly follow the install procedures to proceed the AC type installation by a licensed electrician.

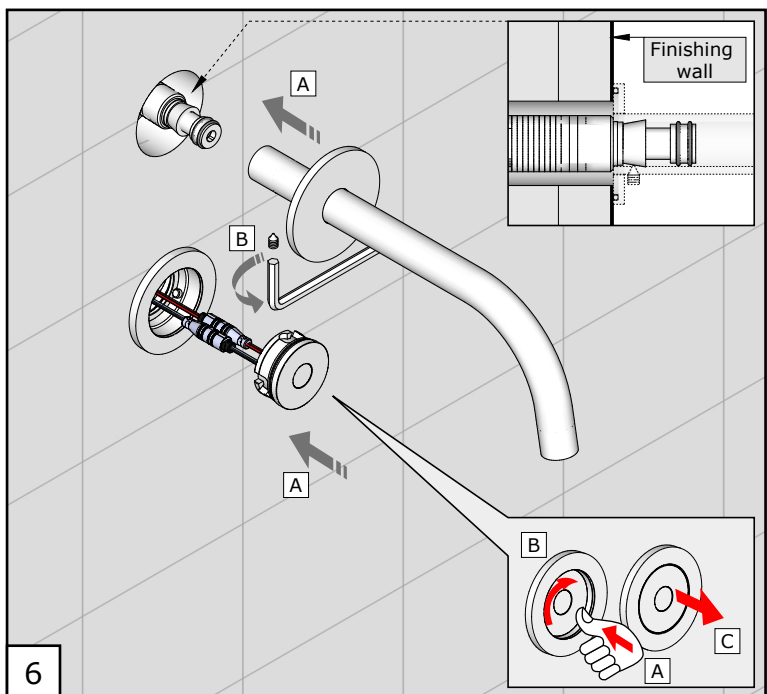
Sunlight or light from halogen lamps can be shorten the signal range.

Do not keep the mirror surface opposite the sensor.

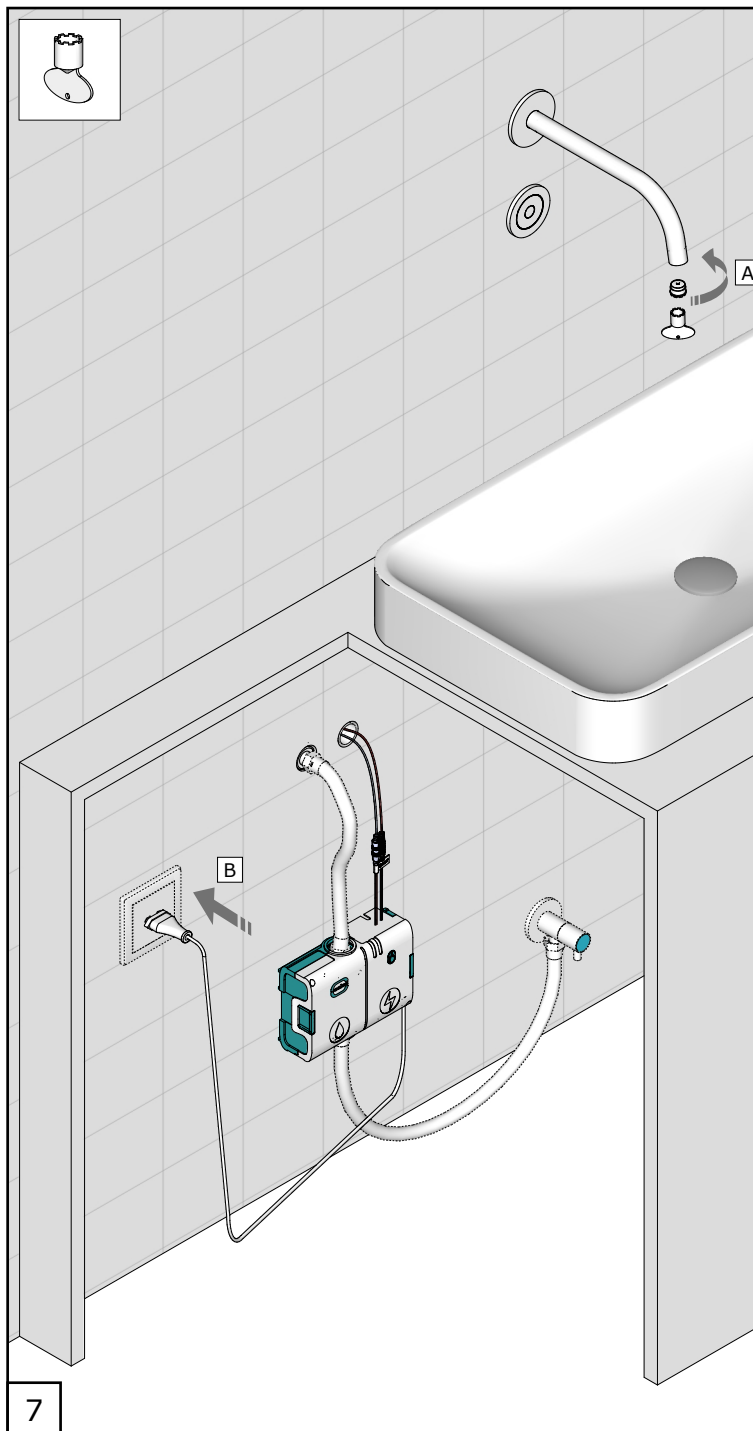
Angle valves & flexible hoses need to be ordered separately.



5



6



7



LAB-01-SENSOR-TAP

Specification

Power: DC 6 pieces of AA size alkaline batteries / AC 220V, 50 / 60 HZ
 Sensor Activation : 0.5 sec
 Shut Off Delay: 1~2 sec
 Detection range : 50~250mm
 Flow rate : No more than 5.5L / min. at 0.3MP
 Over time control : Automatically shut off when the detection is occurred over 1 minute
 Water temperature : 5~65 degree
 Hydraulic connection: G1/2 male threads

Remark

LED Signal

RED LED, will flashes when batteries are low or empty
 GREEN LED, stays ON if the AC / DC power supply is plugged in and the AC power is ON

Aquastop

To ensure that the faucet doesn't operate during cleaning, the Aquastop function temporarily de-activates the sensor. To activate this function, press the control button then the sensor remains inactive for 60 seconds