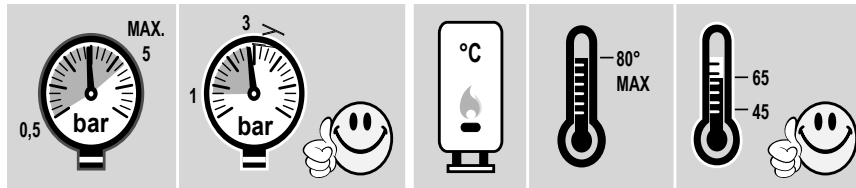
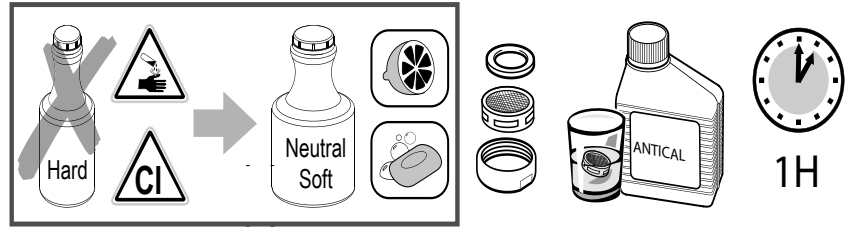


U.P. Code
ASME A112.181/CSA B125.1

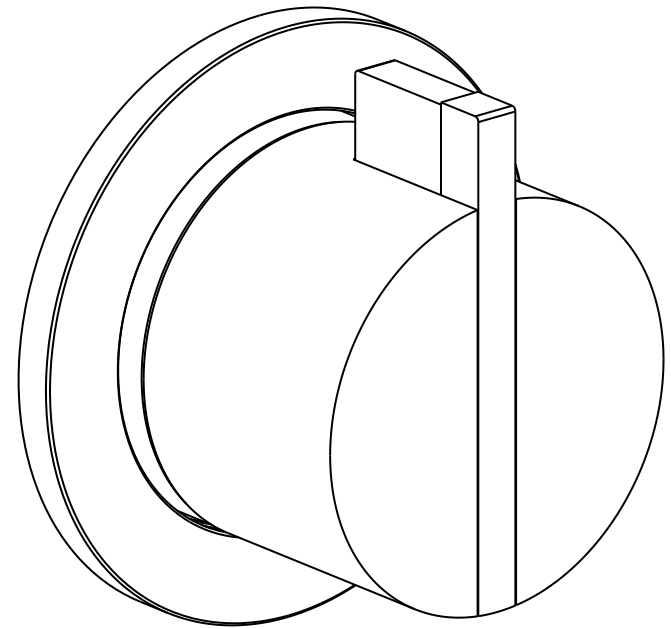


Made in Italy

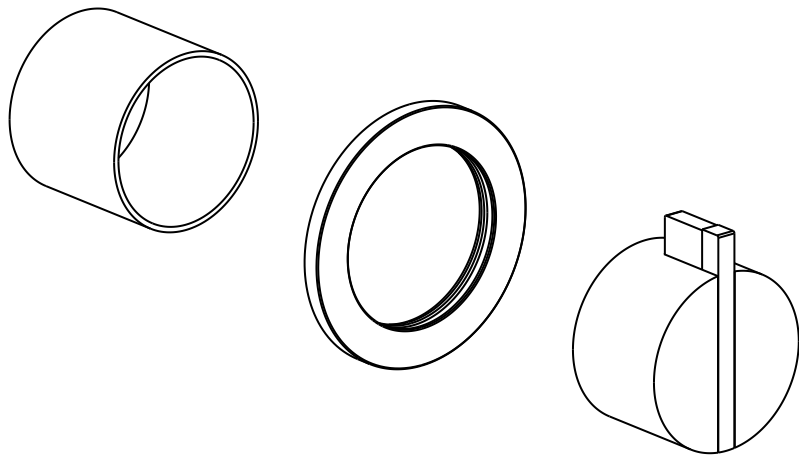
by **COCOON**

Year - Month

by **COCOON**

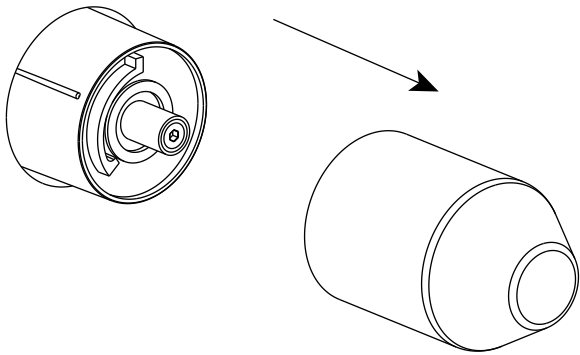


PB 01 THERM EXT

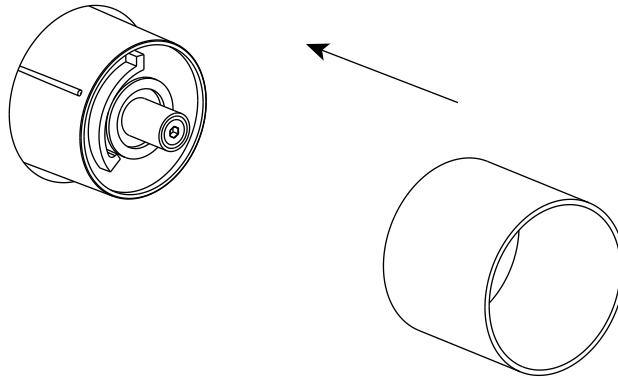


PB 01 THERM EXT

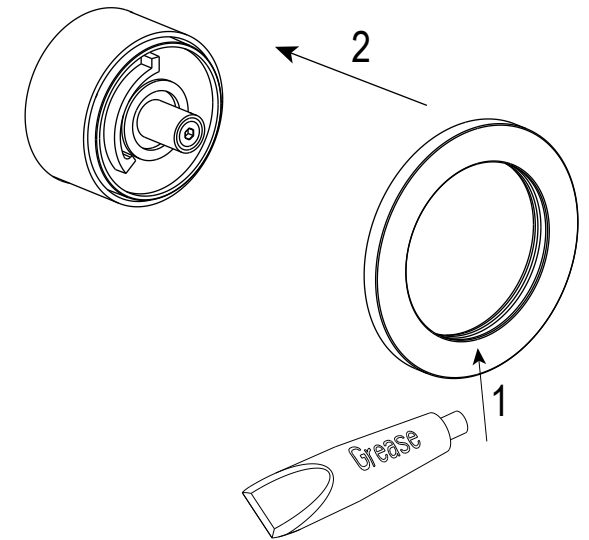
1



2

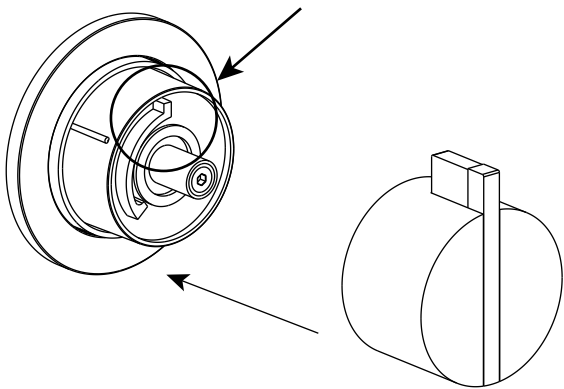


3

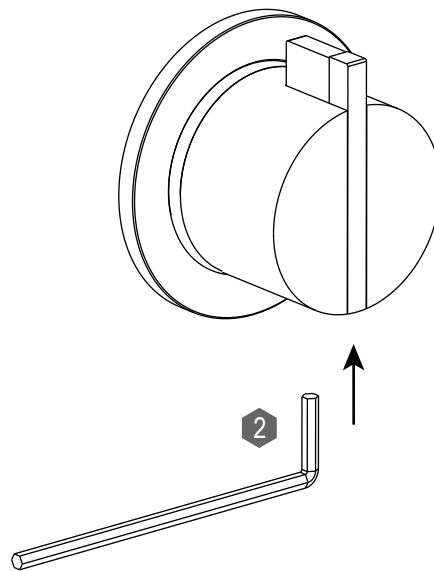


4

- 38°C stop limiter
- install the handle in this way

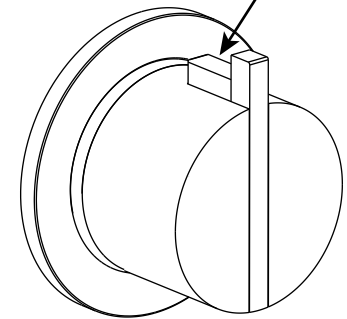


5

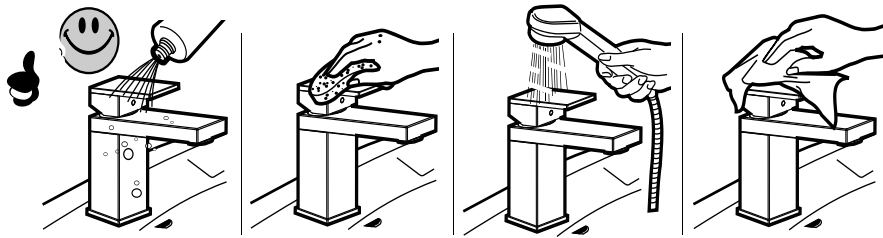


6

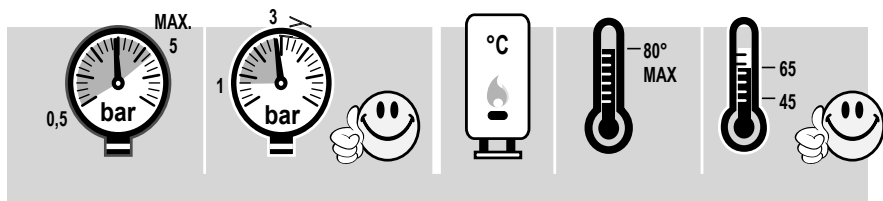
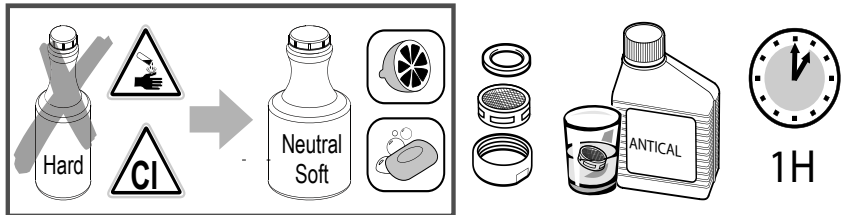
Press and turn left this
button for go over the 38°C



Temperature limitation 49°C at 3bar



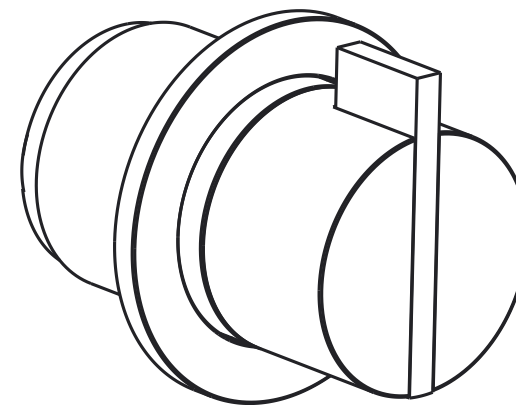
NSF
CUP Code
ASME A112.18.1/CSA B125.1



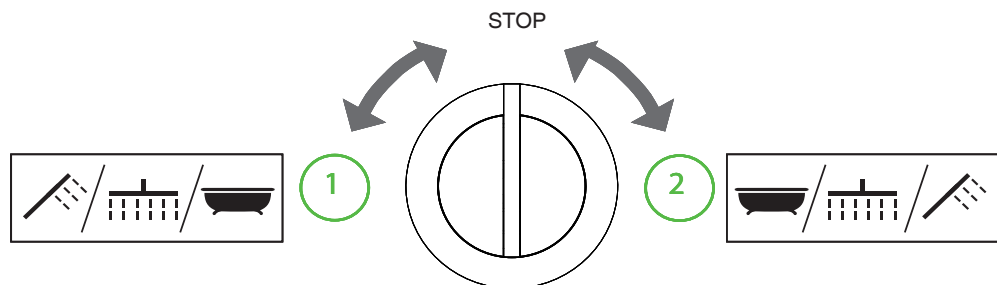
Made in Italy
by COCOON
Year -
Month

PIETBOON by COCOON

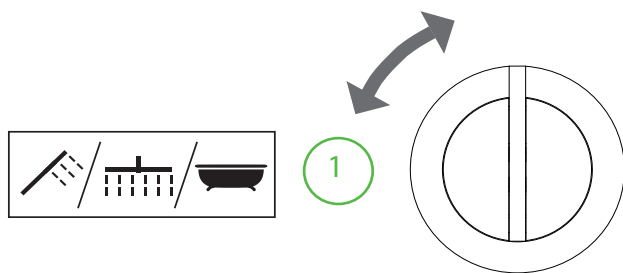
PB-01DIV/VALVE-EXT-316BOX-2020



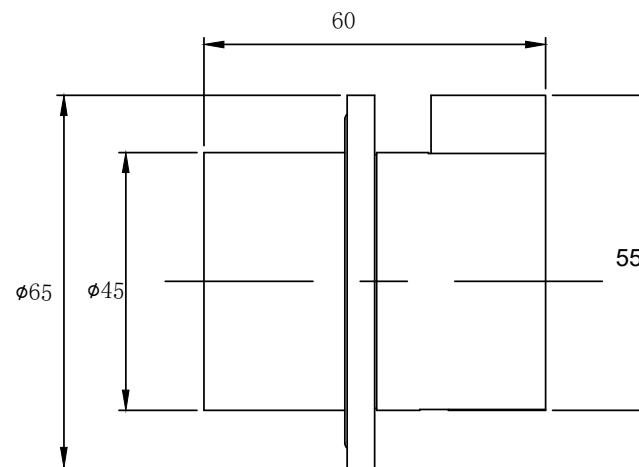
ROTAZIONE DELLA MANIGLIA HANDLE
ROTATION



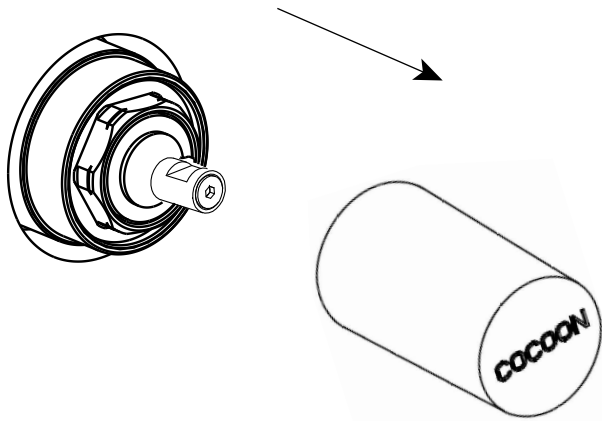
BOX03-316 & BOX04-316



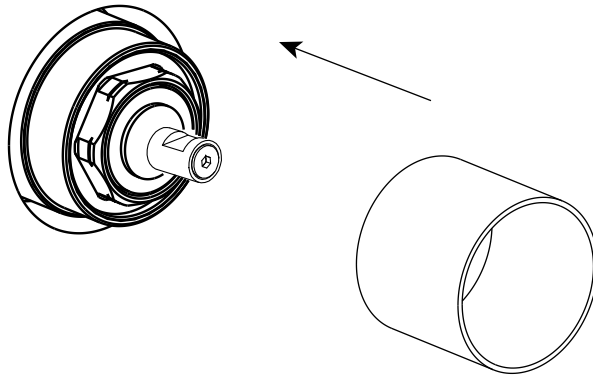
BOX04-VALVE-316



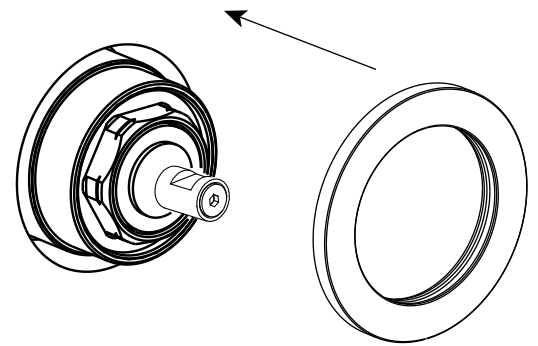
1



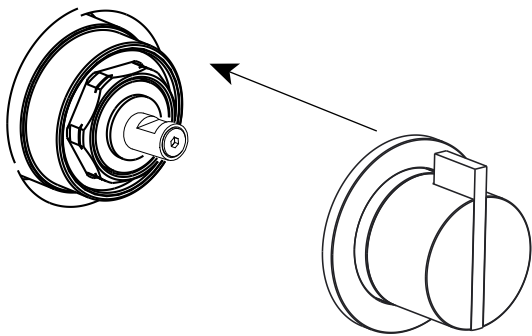
2



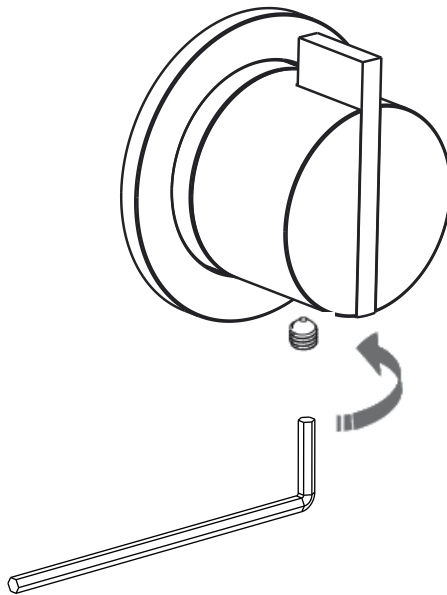
3



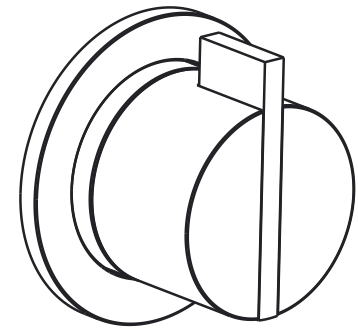
4

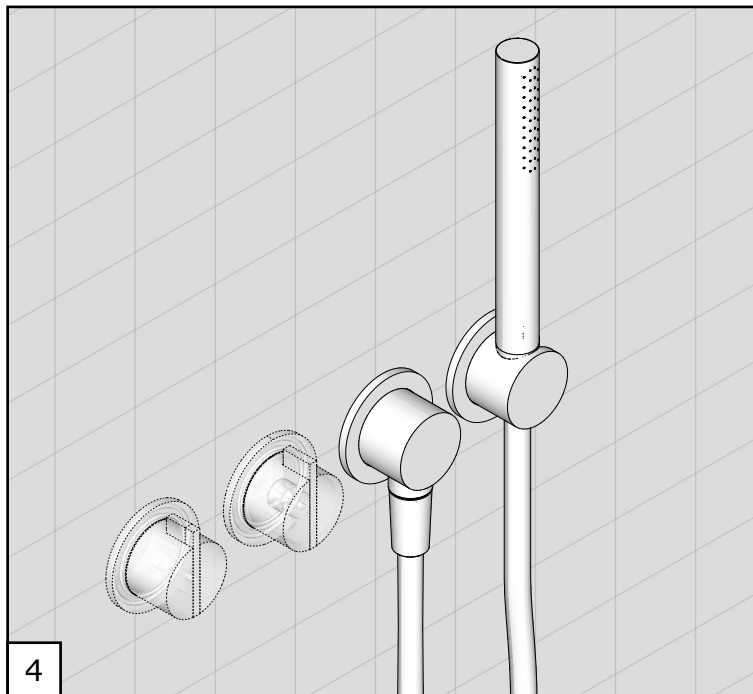
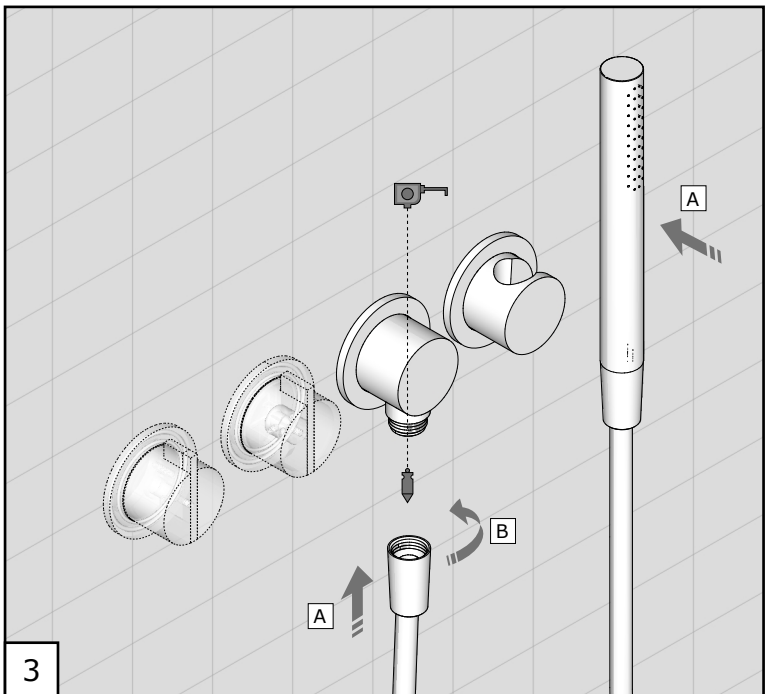
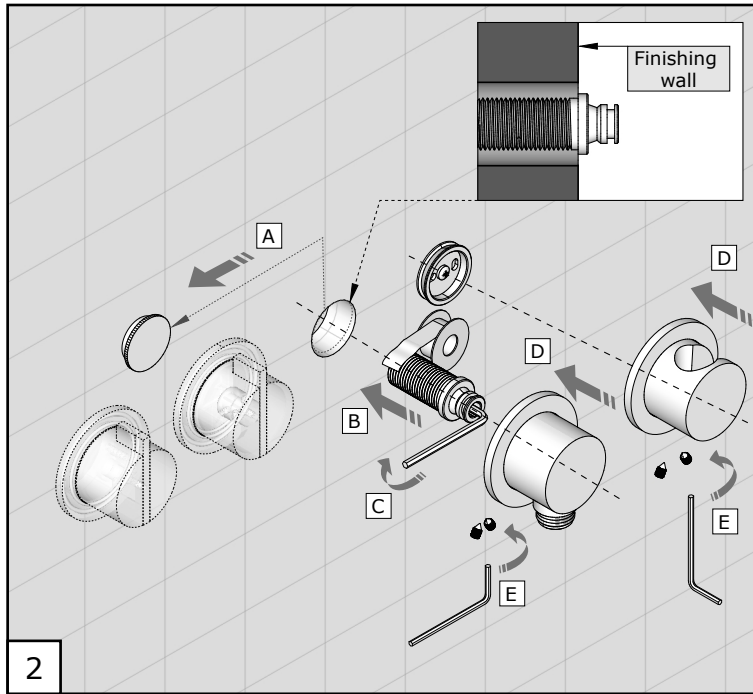
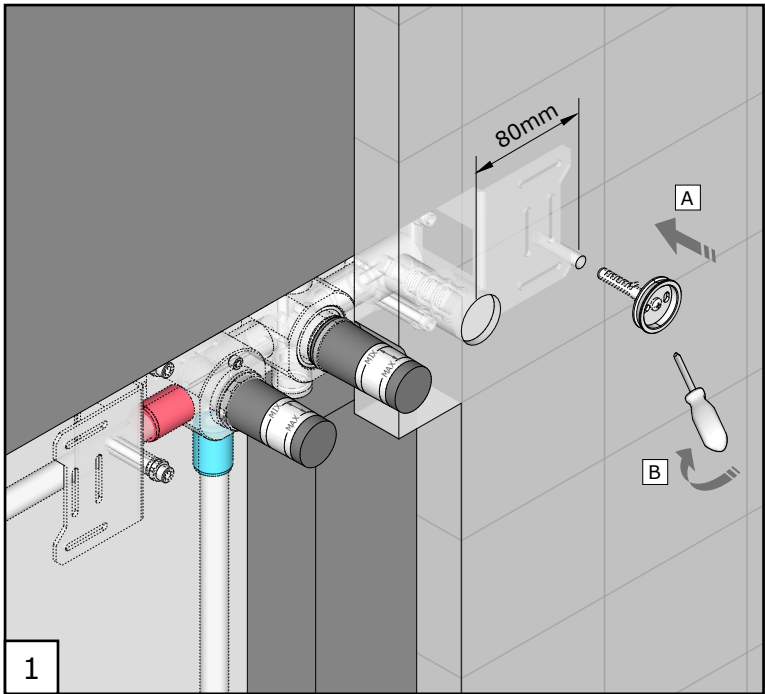


5



6





PIETBOON

by

COCOON

PB-32

TECHNICAL WARNINGS

The pipes have to be rinsed thoroughly before installation to avoid the pressure differences between hot /cold water supply

Use a pressure reducer when static pressure is higher than 5 bar to avoid damage to the cartridge