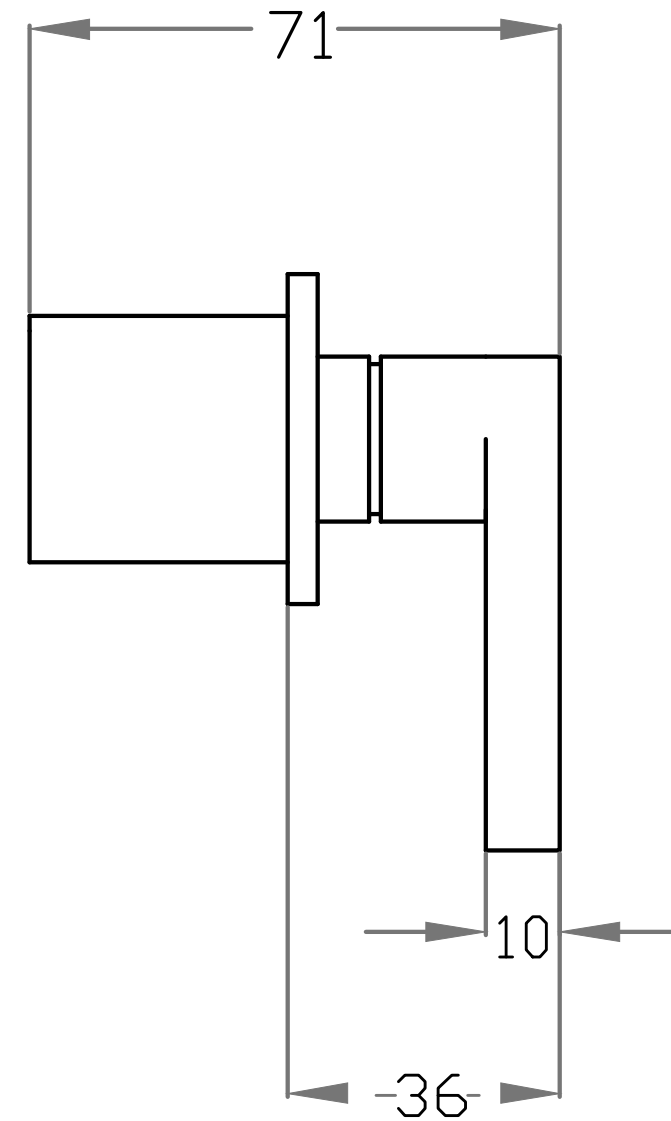
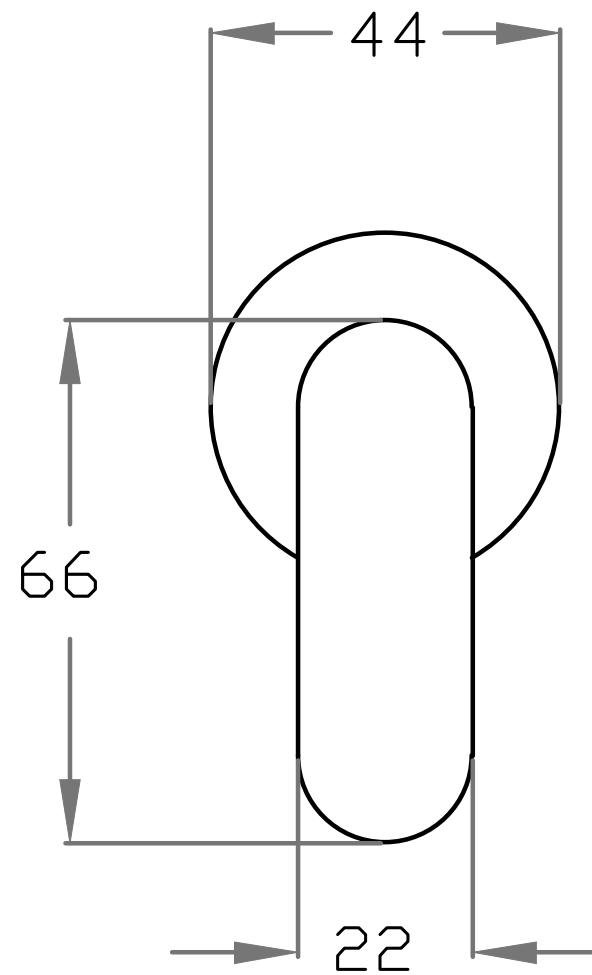


Dimensioned drawing



Dimensioned drawing

