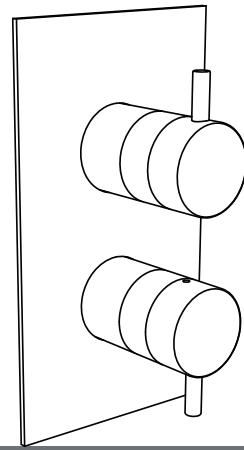


1000/1500/2000/2500/3000

Valve Trim Kits

US-BL1000/1500/2000/2500/3000
US-PRO1000/1500/2000/2500/3000
US-WF1000/1500/2000/2500/3000
US-WP1000/1500/2000/2500/3000
US-18-1000-T/18-1500-T/18-2000-T/18-2500-T/18-3000-T



Installation Instructions



Introduction

This product has been fully inspected throughout the production process and only leaves our factory after a 15-step QC process. The installation must comply with all plumbing codes including local codes.

Be sure to place in the correct orientation if there are etchings on the front of the plate.

Fitting isolating valves to the inlet feeds is recommended for ease of maintenance.

IMPORTANT: Please read these instructions carefully before beginning and retain for future reference.

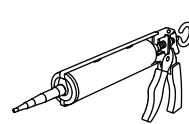
Before beginning installation, check for any damage that may have occurred during transport.

Note: Damage claims cannot be made during or after installation.

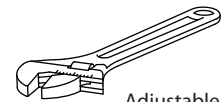
Improper installation shall result in loss of warranty in case of damage caused by impacts or rubbing against rough surfaces.

We do not accept responsibility for any problems that may occur through incorrect installation.

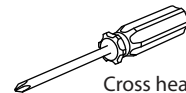
Tools required



Clear silicone adhesive caulk



Adjustable wrench



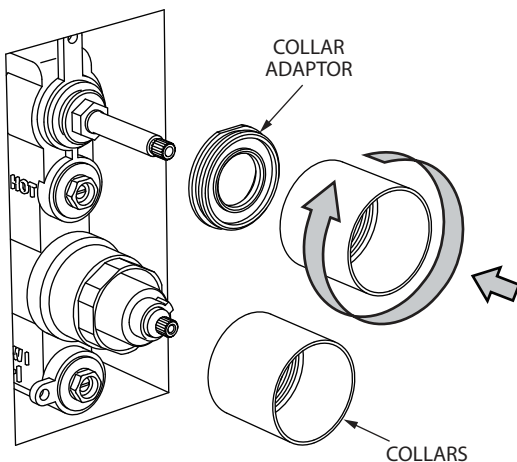
Cross head screwdriver



Hexagonal key

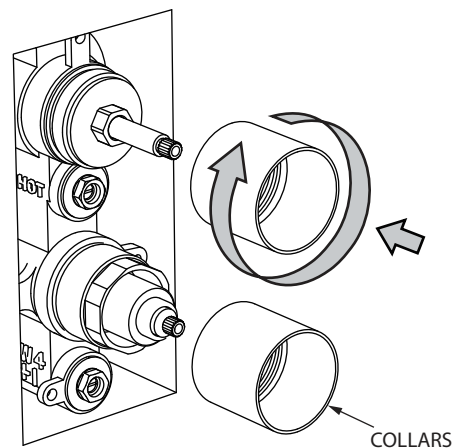
1 Installation 1000

- Follow the installation guide for US-WLBP1000 valve rough.
- Attach collars by turning these into the valve.



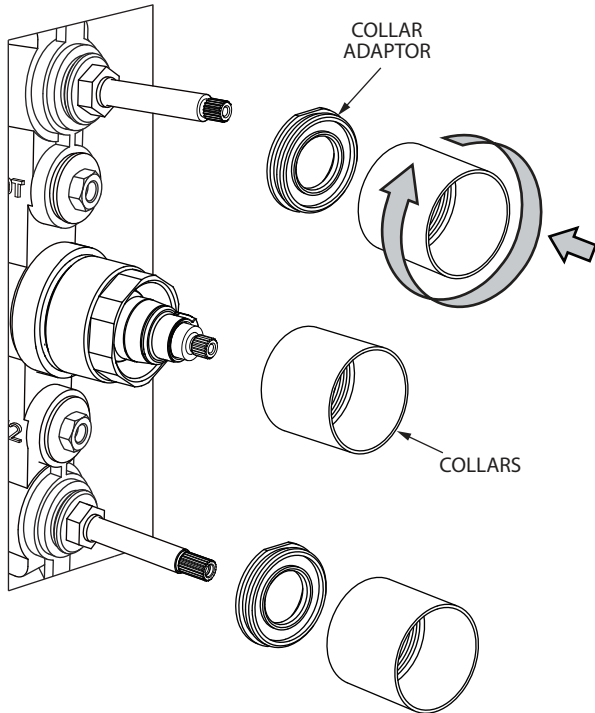
1 Installation 1500/2500

- Follow the installation guide for US-WLBP1500/2500 valve rough.
- Attach collars by turning these into the valve.



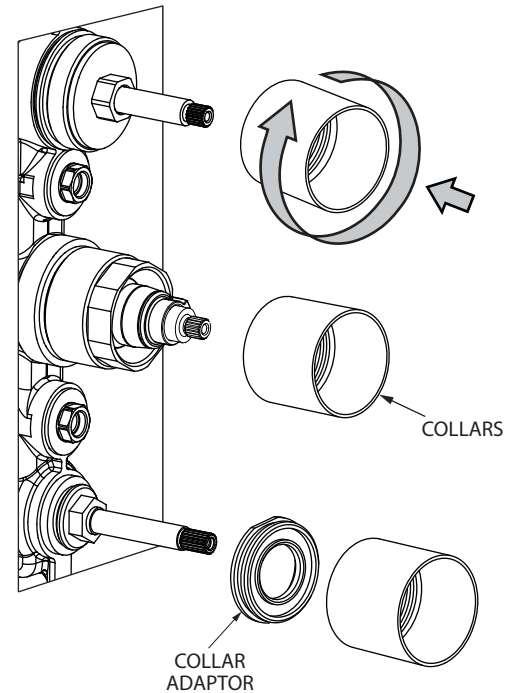
1 Installation 2000

- Follow the installation guide for US-WLBP2000 valve rough.
- Attach collars by turning these into the valve.



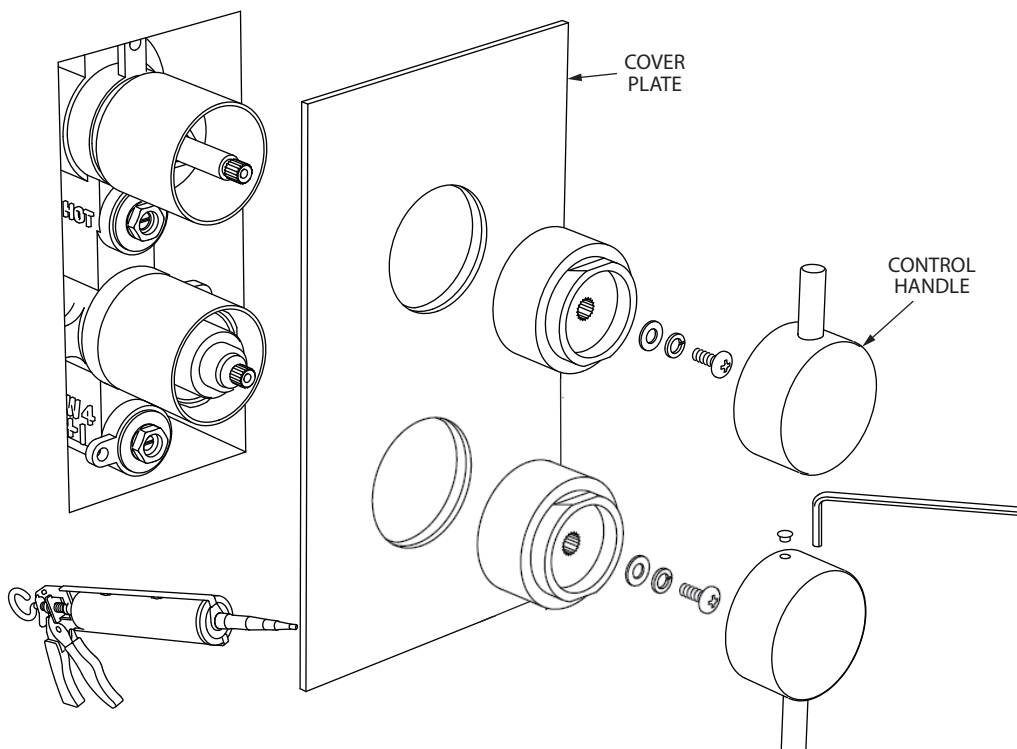
1 Installation 3000

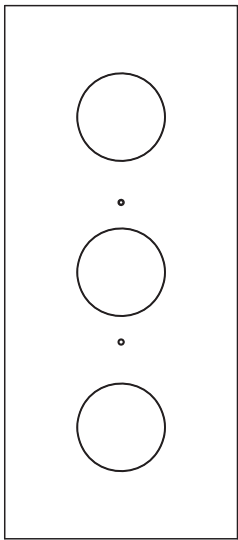
- Follow the installation guide for US-WLBP3000 valve rough.
- Attach collars by turning these into the valve.



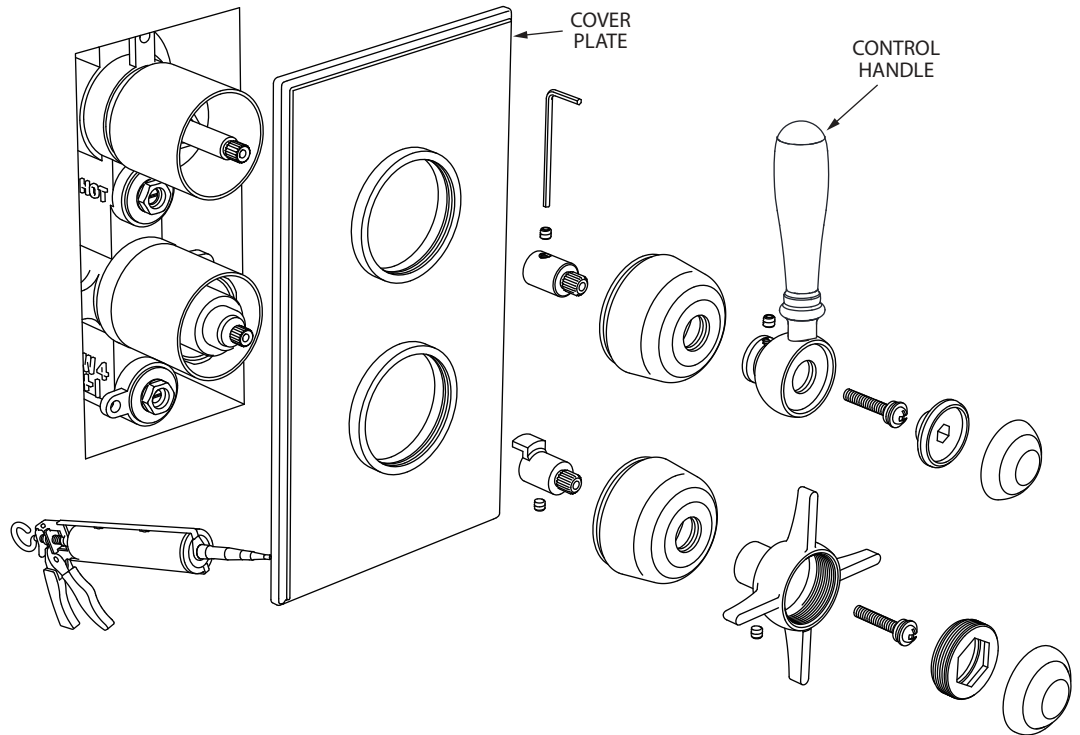
2 Installation

- Remove the adhesive tape film on the backside of cover plate.
- Apply a narrow bead of clear silicone adhesive caulk around the back edge of the cover plate and carefully press into position. Be sure to place in the correct orientation if there are etchings on the front of the cover plate.
- Fit the control handles by lining up the flat surface of the valve cover with the set screw on the handle.
- Tighten the screw with an hexagonal key.
- The cover plate comes affixed with a removable CUPC sticker.





Three-hole backplate models installed the same way.



3 Cleaning Instructions

Rinse away any traces of soap and gently dry with a clean, soft cloth after each use. Rinse completely with water and dry any overspray. This will maintain the finish and avoid water spotting.

To remove mineral deposits, use a 50/50 solution of white vinegar and water. Do not allow the solution to soak on the product. Simichrome Polish® contains a protective film to enhance maintenance and is helpful in preventing water spot buildup. Follow instructions to ensure optimum results.

Never use an abrasive material such as a brush or scouring pad to clean the surface. The use of abrasive cleaners, cleansers or disinfectants will alter the surface finish and void the warranty.

Do not allow certain materials such as toothpaste, cologne, shaving cream, nail polish remover, vinegar, wine, drain and glass cleaners to remain on the surface. Prolonged contact will alter surface finishes and void the warranty.

We DO NOT recommend using any household cleaners as many can cause damage to the finish.

Please see the website for care instructions for specific finishes.

Warranty - This **Crosswater London** product is covered by a limited lifetime warranty. For full details, terms and conditions please visit our website.

For further information contact: **Crosswater London**, 393 Fortune Blvd., Milford, MA 01757

Toll free number: 844-XWATER-1 (844-992-8371) tel: 508-381-0433 fax: 508-381-6068

www.crosswaterlondon.com

email: technical@crosswaterlondon.com

Issue date: 19072021