



Sink - Deque

Lavatory spout, wall-mounted without drain - polished chrome

Article number: 13 800 740-00 0010



- 4-7/8" Projection
- Rigid spout
- Rectangular aerated stream
- 1-1/2" hole diameter
- 1/2" connection
- Plug-in connection mounting
- Water flow rate limited to max. 1.2 gpm
- lead-free
- The mounting height from the top edge of the sink to the center of the connection should be at least 5". The front edge of the spout should be at least 7/8" in front of the back edge of the sink.
- For Touchfree control please order eSet Touchfree WITH or WITHOUT temperature adjustment



polished chrome

Accessory is required for this item.



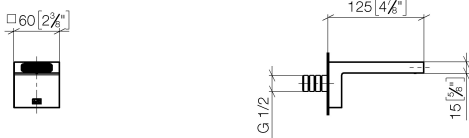
Sink - Deque

Lavatory spout, wall-mounted without drain - polished chrome

Article number: 13 800 740-00 0010

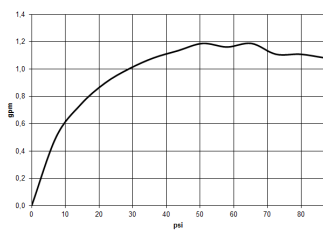
Dimensional drawing

mm [inches]



All dimensions in mm / inch = mm x 0,0394

Flow rate chart





Sink - Deque

Lavatory spout, wall-mounted without drain - polished chrome

Article number: 13 800 740-00 0010

Other surface finishes



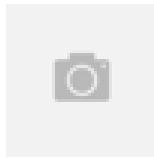
platinum matte

13 800 740-06 0010



platinum

13 800 740-08 0010



Brushed Durabrass

13 800 740-28 0010

More custom finish options are available via special production (xTra Service). Please see our finish matrix for availability and pricing or contact a Dornbracht representative.

Required article



35 080 970-90 0010

Rough-in adapter -

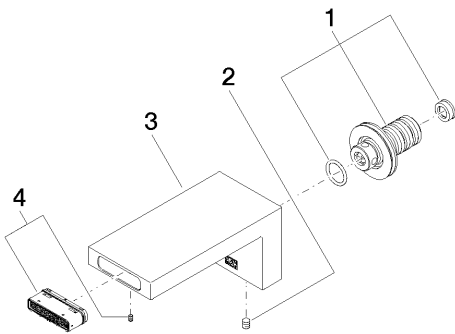


Sink - Deque

Lavatory spout, wall-mounted without drain - polished chrome

Article number: 13 800 740-00 0010

Spare parts list



Number	Item Number	Designation	Number of units
1	90 24 03 108 01 90	nipple set	1
2	04 31 11 004 00 90	pin	1
3	90 29 03 067 00 90	aerator	1