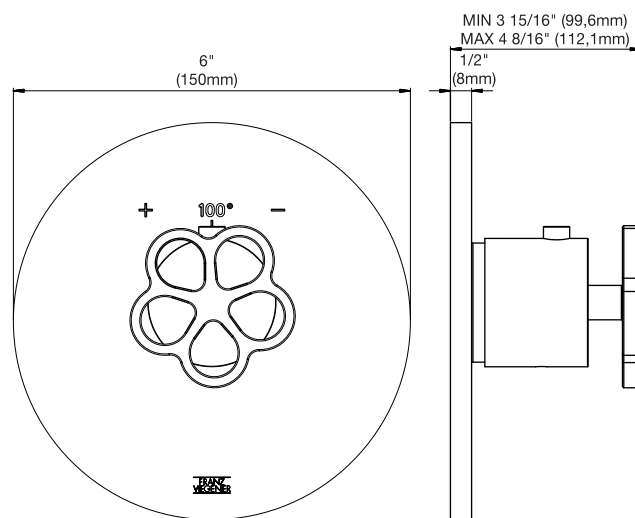
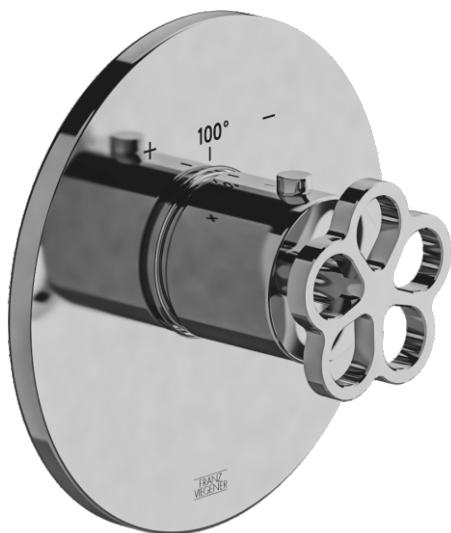


INDUSTRIAL CHIC - FV217/J1.0

Thermostatic wall valve - trim only.

Conjunto decorativo para juego termostático.

FRANZ
VIEGNER





FEATURES

CARACTERÍSTICAS

- All brass construction.
Producto realizado íntegramente en latón.
- Safety stop device (100°F)
Dispositivo de detención segura (38°C).

COLOR / FINISHES

COLOR / ACABADOS

 PC Polished Chrome.	 PN Polished Nickel.	 BN Brushed Nickel.
 BG Brushed Gold.	 PG Polished Gold.	 RG Rose Gold.
 BK Black Chrome.	 FB Flat Black.	 UPB Unlacked Polished Brass
 PCR Polished Chrome.	 BNR Brushed Nickel.	 BCR Black Chrome.

FLOW RATE

CAUDAL

ITEM DETAILS

DETALLE DE PRODUCTO

COMPLIANCE

CERTIFICACIONES

