

## HB 500

### STAIR RAIL BRACKET

The Halliday+Baillie HB 500 Stair Rail Brackets are designed for a round 30-50mm ( 1.18"-2.00" ) diameter rail.

Suitable for interior or covered exterior situations. For exterior or marine environments, please specify the HB 510 bracket in marine-grade series 316 stainless steel.

**Total projection from wall :** 86 ( 3.39" )

**Overall height (upstand) :** 85 ( 3.35" )

**Material :** non-anodized aluminum alloy

**Recommended Spacing :** 23"-32"

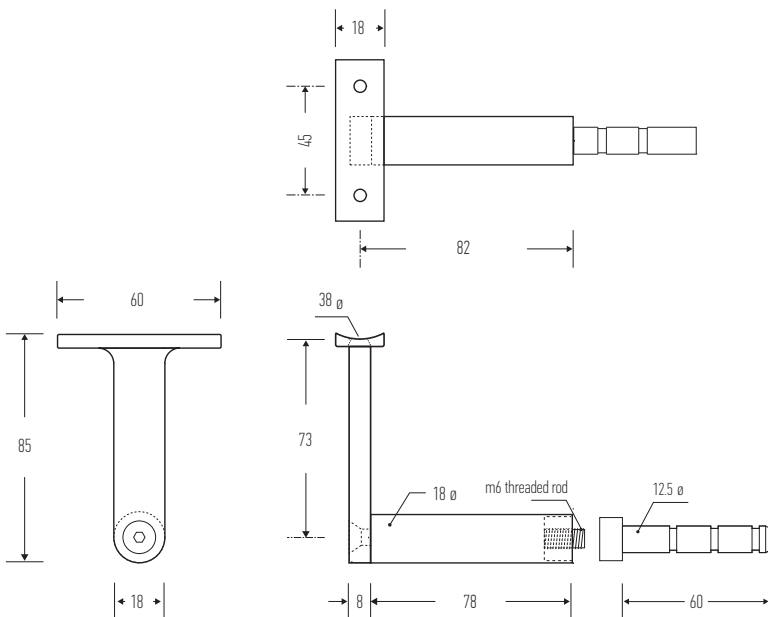
**Standard HB 500 set includes** HB 500 Bracket and all Fasteners

Epoxy sold separately. Please contact your account manager for guidance.

Available in all standard finishes except Brushed Nickel (BN).  
See finishes sheet for more information.

#### Certifications :

Halliday + Baillie brackets are tested in accordance with both the AS/NZS 1170.1:2002 (Structural Design Actions) standards and the International Building Code, IBC (2003) to comply with the 200 lb. fall rating.



## HB 502

### GLASS FIXING KIT FOR HB 500 BRACKET

Suitable for 3/8"-1/2" thick glass. Available for thicker glass on request.  
Finishes available to match HB 500 Bracket.

