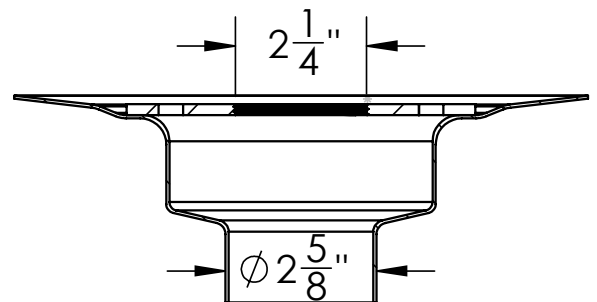
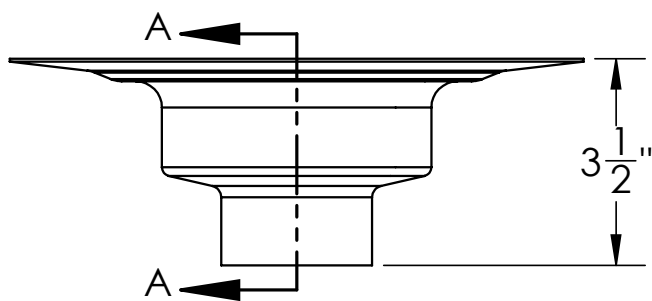
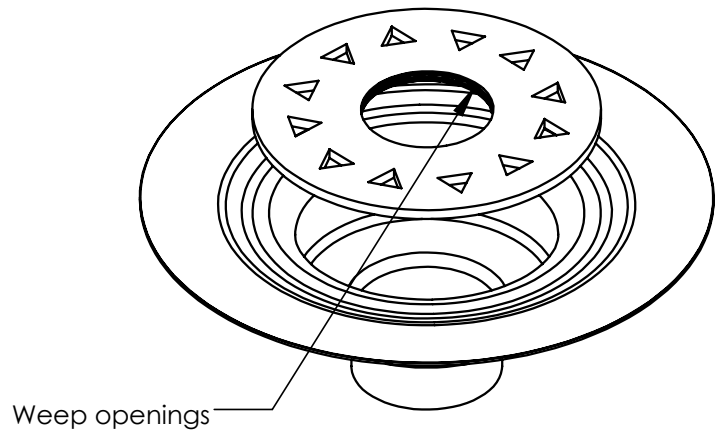
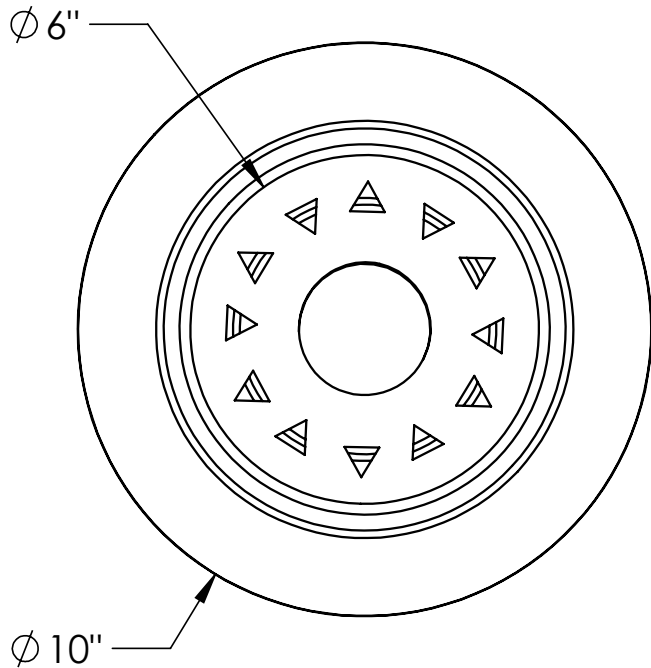


# BFS 22 Specifications

ID Infinity Drain

## BFS 22:

- Stainless Steel Bonded Flange Assembly
- 2" Throat fits 2", 3", and 4" outlet
- Compatible with cold applied liquid or fabric type waterproofing membranes



SECTION A-A

**Infinity Drain**  
145 Dixon Avenue  
Amityville, NY 11701  
Phone: 516.767.6786  
Fax: 516.740.3066  
www.infinitydrain.com



NOTE: Installer must verify all rough-in dimensions prior to installation and consult local and national codes. Conformity and compliance to local and national codes are the responsibility of the installer.