



S-TIFAS 99 Series SITE SIZABLE STAINLESS STEEL CHANNEL

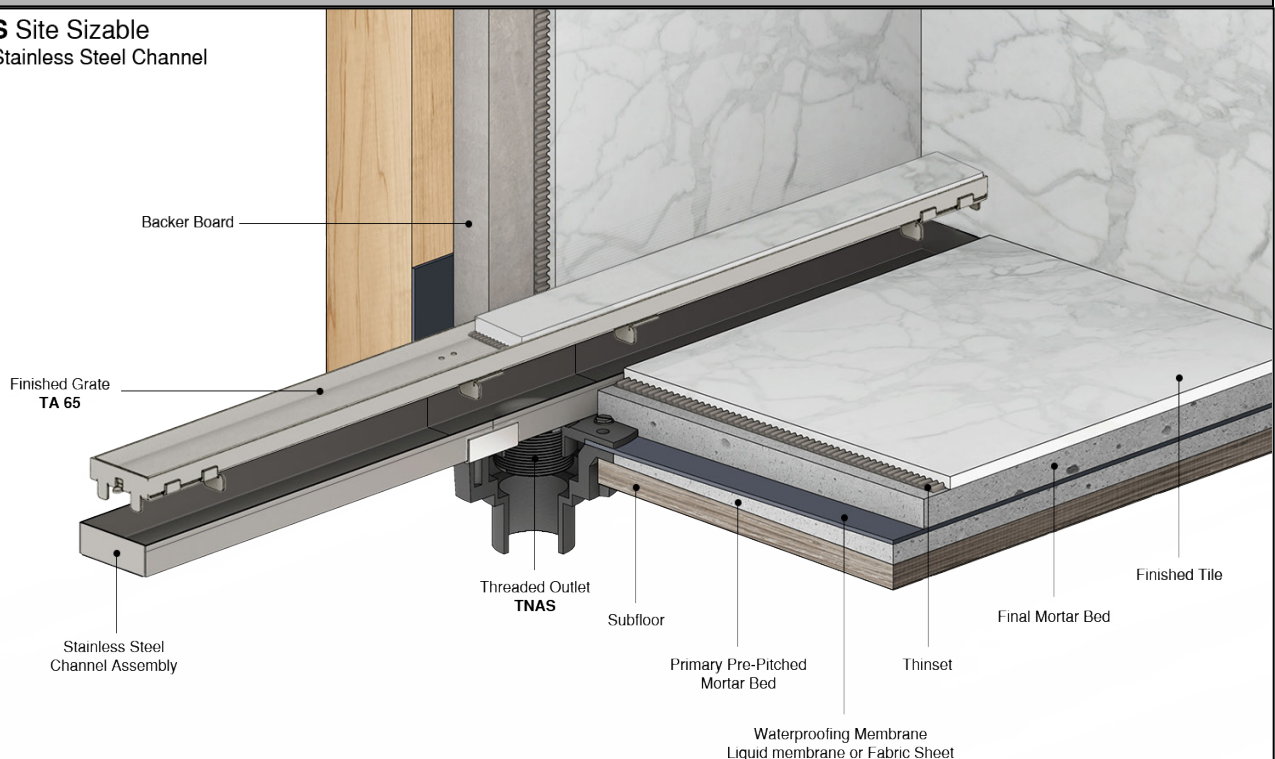
- S-TIFAS 9940 - 40" Complete Kit
- S-TIFAS 9948 - 48" Complete Kit
- S-TIFAS 9960 - 60" Complete Kit
- S-TIFAS 9980 - 80" Complete Kit
- S-TIFAS 9996 - 96" Complete Kit

Features

- 16 gauge. 304L Stainless steel channel
- 12 gauge. 304L Stainless steel Tile Insert Frame
- Modify length and outlet location on site
- Indoor or outdoor use
- Works with 3" clamp down floor with 4" throat/strainer size *(included)*
- NOT INTENDED for installation across a barrier-free threshold
- Compatible with: PVC Liner, Rubber Liner (Chloraloy®), Hot Mop, Lead Pan, Copper Pan, or Fiberglass
- Flow rate - 21 gpm per outlet
 - Flow rate measured at outlet only. Measurement does not account for water in channel or sheeting on shower floor.
 - Additional outlets can be added and combined into a larger waste line to increase flow rates

Installation

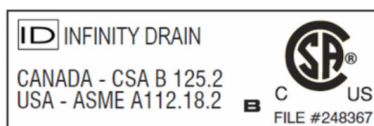
S Site Sizable
Stainless Steel Channel



Care & Maintenance

S-TIFAS 99 stainless steel linear drain top grates are made of 304L stainless steel. This material is non-porous, hygienic, rust-free and extremely durable. Bar Keepers Friend® and Soft Scrub® are commonly available products that can be used to protect and clean your Satin Stainless drain cover. For stains that have been left for an excessive amount of time, stronger cleaning agents such as Compound 302® may be needed. For all finishes we recommend using mild soap and a soft cloth for cleaning. **DO NOT** use any abrasive cleaners, scrub pads or allow household cleaning agents, such as bleach, to sit on the drain cover for a long period of time. Stainless steel does not rust. External factors, such as contamination from other highly ferrous metals, built up road salt, sea salt, or chlorine may have caused "surface" rust which can be removed using Barkeepers Friend®, Soft Scrub®, or Steel Brite Cleaner. Always follow the directions on the bottle. Follow proper maintenance procedures to prevent excessive surface rust. In areas of frequent exposure to salt, chlorine, and other chemical compounds, maintenance of the stainless grates should be performed at least 2-3 times per year.

Infinity Drain
145 Dixon Avenue
Amityville, NY 11701
Phone: 516.767.6786
Fax: 516.740.3066
www.InfinityDrain.com



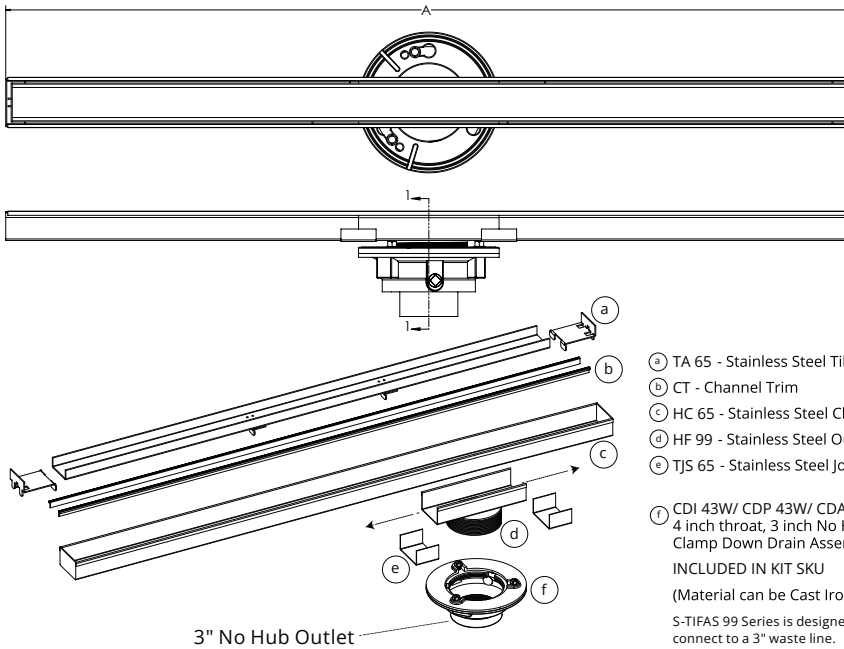
NOTE: Installer must verify all rough-in dimensions prior to installation and consult local and national codes. Conformity and compliance to local and national codes are the responsibility of the installer.

ID Infinity Drain

S-TIFAS 9940

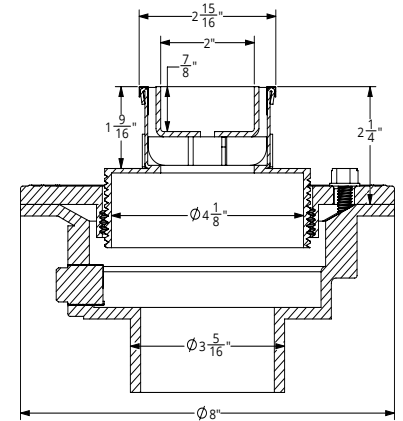
S-TIFAS 9948

S-TIFAS 9960



- Ⓐ TA 65 - Stainless Steel Tile Insert Assembly
- Ⓑ CT - Channel Trim
- Ⓒ HC 65 - Stainless Steel Channel (ships as one piece)
- Ⓓ HF 99 - Stainless Steel Outlet Section (High Flow)
- Ⓔ TJS 65 - Stainless Steel Joiner Strip

- Ⓘ CDI 43W/ CDP 43W/ CDA 43W
4 inch throat, 3 inch No Hub Outlet
Clamp Down Drain Assembly
INCLUDED IN KIT SKU
(Material can be Cast Iron, ABS, or PVC)*
S-TIFAS 99 Series is designed to
connect to a 3" waste line.



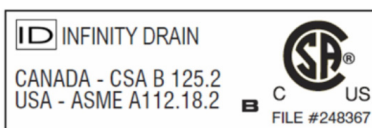
SECTION 1-1

Model Number	Complete Kit Contents	A Maximum Overall Length	B Maximum Grate Length	C (Minimum Height Above Waterproofing) * All heights can be adjusted upwards an additional 1-1/4"
<input type="checkbox"/> S-TIFAS 9940-I <input type="checkbox"/> S-TIFAS 9940-A <input type="checkbox"/> S-TIFAS 9940-P	1 - TA 6540 Tile Insert Frame 1 - HC 6532 Stainless Steel Channel 1 - HF 99 8" Stainless Steel Outlet Section 2 - TJS 65 Stainless Steel Joiner Strips 1 - ZSIKA M-1 Sealant 2 - CT 40 Channel Trims 1 - HMK-A: 1 - AKEY Lift Out Key 1 - 4" Throat, 3" No Hub Outlet, Drain Body (CDI 43 W/CDA 43 W/CDP 43 W)	40"	39 7/8"	With CDI 43 W: 2 1/4" With CDA 43 W: 2 1/4" With CDP 43 W: 2 1/4"
<input type="checkbox"/> S-TIFAS 9948-I <input type="checkbox"/> S-TIFAS 9948-A <input type="checkbox"/> S-TIFAS 9948-P	1 - TA 6548 Tile Insert Frame 1 - HC 6540 Stainless Steel Channel 1 - HF 99 8" Stainless Steel Outlet Section 2 - TJS 65 Stainless Steel Joiner Strips 1 - ZSIKA M-1 Sealant 2 - CT 48 Channel Trims 1 - HMK-A: 1 - AKEY Lift Out Key 1 - 4" Throat, 3" No Hub Outlet, Drain Body (CDI 43 W/CDA 43 W/CDP 43 W)	48"	47 7/8"	With CDI 43 W: 2 1/4" With CDA 43 W: 2 1/4" With CDP 43 W: 2 1/4"
<input type="checkbox"/> S-TIFAS 9960-I <input type="checkbox"/> S-TIFAS 9960-A <input type="checkbox"/> S-TIFAS 9960-P	1 - TA 6560 Tile Insert Frame 1 - HC 6552 Stainless Steel Channel 1 - HF 99 8" Stainless Steel Outlet Section 2 - TJS 65 Stainless Steel Joiner Strips 1 - ZSIKA M-1 Sealant 2 - CT 60 Channel Trims 1 - HMK-A: 1 - AKEY Lift Out Key 1 - 4" Throat, 3" No Hub Outlet, Drain Body (CDI 43 W/CDA 43 W/CDP 43 W)	60"	59 7/8"	With CDI 43 W: 2 1/4" With CDA 43 W: 2 1/4" With CDP 43 W: 2 1/4"

Finishes

- Satin Stainless (SS)
 Polished Stainless (PS)
 Oil Rubbed Bronze (ORB)
 Satin Bronze (SB)
 Matte Black (BK)

Infinity Drain
 145 Dixon Avenue
 Amityville, NY 11701
 Phone: 516.767.6786
 Fax: 516.740.3066
 www.InfinityDrain.com

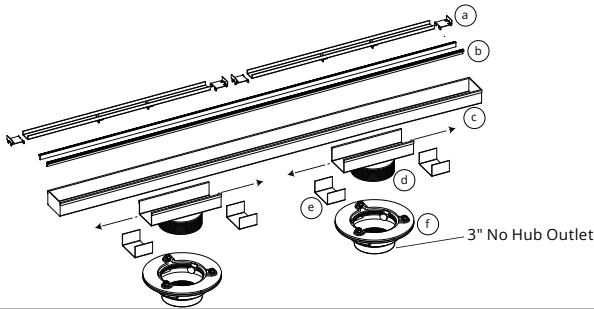
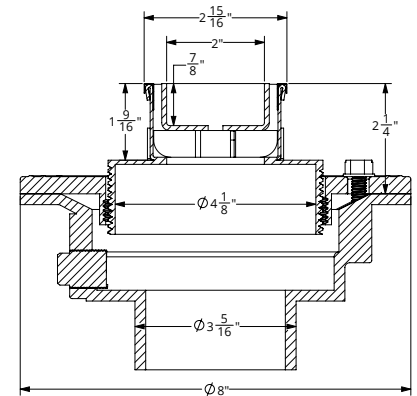
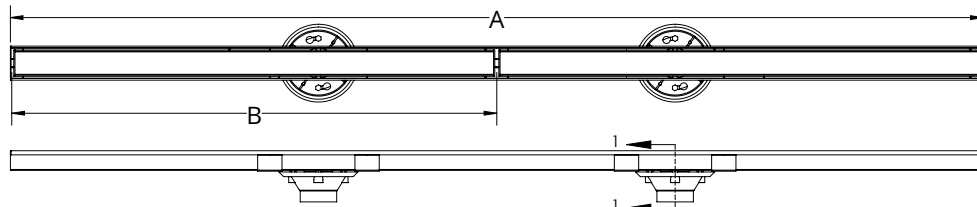


NOTE: Installer must verify all rough-in dimensions prior to installation and consult local and national codes. Conformity and compliance to local and national codes are the responsibility of the installer.

ID Infinity Drain

S-TIFAS 9980

S-TIFAS 9996



- (a) TA 65 - Stainless Steel Tile Insert Assembly
 - (b) CT - Channel Trim
 - (c) HC 65 - Stainless Steel Channel (ships as one piece)
 - (d) HF 99 - Stainless Steel Outlet Section (High Flow)
 - (e) TJS 65 - Stainless Steel Joiner Strip
 - (f) CDI 43W/ CDP 43W/ CDA 43W
4 inch throat, 3 inch No Hub Outlet
Clamp Down Drain Assembly
- INCLUDED IN KIT SKU
(Material can be Cast Iron, ABS, or PVC)*
S-TIFAS 99 Series is designed to connect to a 3" waste line.

SECTION 1-1

Model Number	Complete Kit Contents	A Maximum Overall Length	B Maximum Grate Length	C (Minimum Height Above Waterproofing) * All heights can be adjusted upwards an additional 1-1/4"
<input type="checkbox"/> S-TIFAS 9980-I <input type="checkbox"/> S-TIFAS 9980-A <input type="checkbox"/> S-TIFAS 9980-P	2 - TA 6540 Tile Insert Frame 1 - HC 6572 Stainless Steel Channel 2 - HF 99 8" Stainless Steel Outlet Sections 4 - TJS 65 Stainless Steel Joiner Strips 1 - ZSIKA M-1 Sealant 2 - CT 80 Channel Trims 1 - HMK-A: 1 - AKEY Lift Out Key 2 - 4" Throat, 3" No Hub Outlet, Drain Body (CDI 43 W/CDA 43 W/CDP 43 W)	80"	39 7/8" (x 2)	With CDI 43 W: 2 1/4" With CDA 43 W: 2 1/4" With CDP 43 W: 2 1/4"
<input type="checkbox"/> S-TIFAS 9996-I <input type="checkbox"/> S-TIFAS 9996-A <input type="checkbox"/> S-TIFAS 9996-P	2 - TA 6548 Tile Insert Frame 1 - HC 6588 Stainless Steel Channel 2 - HF 99 8" Stainless Steel Outlet Sections 4 - TJS 65 Stainless Steel Joiner Strip 1 - ZSIKA M-1 Sealant 2 - CT 96 Channel Trims 1 - HMK-A: 1 - AKEY Lift Out Key 2 - 4" Throat, 3" No Hub Outlet, Drain Body (CDI 43 W/CDA 43 W/CDP 43 W)	96"	47 7/8" (x 2)	With CDI 43 W: 2 1/4" With CDA 43 W: 2 1/4" With CDP 43 W: 2 1/4"

Optional Components

UCP 4	Universal 4" Clamping Plate
TNRN-4	4" Cast Iron Extension Nipple

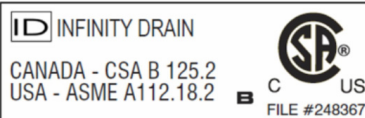
Add Clamp Down Drain

CDA 42	Clamp Down Drain ABS
CDI 42	Clamp Down Drain Cast Iron
CDP 42	Clamp Down Drain PVC
CDA 43 W	Clamp Down Drain ABS
CDI 43 W	Clamp Down Drain Cast Iron
CDP 43 W	Clamp Down Drain PVC

Available components for longer lengths

TA 6540	40" Tile Insert Frame	TE 65	2" Stainless Steel End Section
TA 6548	48" Tile Insert Frame	TJS 65	Stainless Steel Joiner Strip
TA 6560	60" Tile Insert Frame	SHA 65	Stainless Steel 90° Angle Joiner
TC 6548	48" Stainless Open Ended Channel	HF 99	8" Stainless Steel Outlet Section
TC 6596	96" Stainless Open Ended Channel	CT 40	40" Channel Trim
HC 6532	32" Stainless Closed Channel	CT 48	48" Channel Trim
HC 6540	40" Stainless Closed Channel	CT 60	60" Channel Trim
HC 6552	52" Stainless Closed Channel	CT 80	80" Channel Trim
HC 6572	72" Stainless Closed Channel	CT 96	96" Channel Trim
HC 6588	88" Stainless Closed Channel		

Infinity Drain
145 Dixon Avenue
Amityville, NY 11701
Phone: 516.767.6786
Fax: 516.740.3066
www.InfinityDrain.com



NOTE: Installer must verify all rough-in dimensions prior to installation and consult local and national codes. Conformity and compliance to local and national codes are the responsibility of the installer.