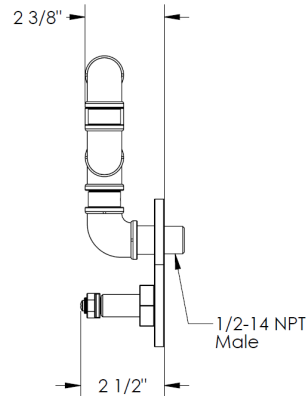
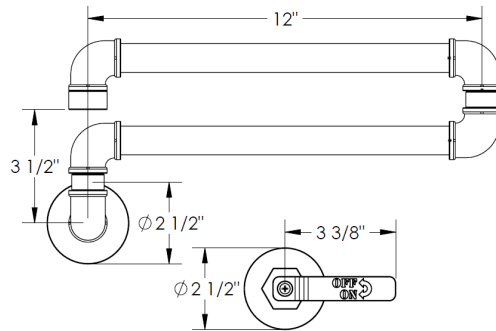


FEATURES

- ½ turn washerless ceramic disc valve cartridges
- Flexible hose connections
- Flow rate 1.5 gpm (5.7 lpm) maximum flow rate
- Solid brass construction
- Warranty:
 - Limited lifetime warranty (residential use)
 - One year (commercial use)
- Shipping weight (lbs.) 10
- Shipping dimensions (in.): 29x12x4



ITEM NO.	PART NUMBER	QTY.
1	38-2.2-SPT-BASE	1
3	38-7.8-ELB-ASSY	1
6	38-7.8-BOT-PIPE-ASSY	1
7	38-7.8-TOP-PIPE-ASSY	1
9	NEOPERL CACHE AERATOR	1
10	AS568 - 013	4
11	AS568 - 133	1
12	SWVL-PLSTC-BSHNG	2
13	SSCUPSKT 0.19-32x0.1875-HX-S	2
14	EV4-ESC-RING	1
15	EV4-ESC	1
16	EV4-STEM	1
17	EV4-BRCH-SLVE	1
18	EV4-LVR-O	1
19	EV4-POST-CAP	1
20	CR-PHMS 0.164-32x1.625x1-S	1
21	AS568 - 012	2
22	0.0938x0.266-SS-PIN	2

IMPORTANT INSTALLATION INFORMATION

- USE TEFLON TAPE OR PIPE SEALANT FOR THREADED CONNECTIONS
- DO NOT USE PLUMBER'S PUTTY ON ANY OF THE BRASS COMPONENTS
This will cause the finish to tarnish and void the warranty. A non-corrosive Alkoxy Silicone is recommended.
- DURING SWEATING OF LINES DO NOT OVERHEAT CASTING
Overheating may cause damage to internal mechanism
- COPPER ADAPTORS MAY BE REQUIRED TO COMPLETE YOUR INSTALLATION

For technical support, please call 718-257-2800

