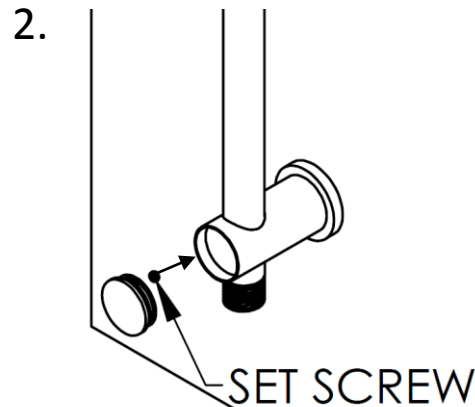
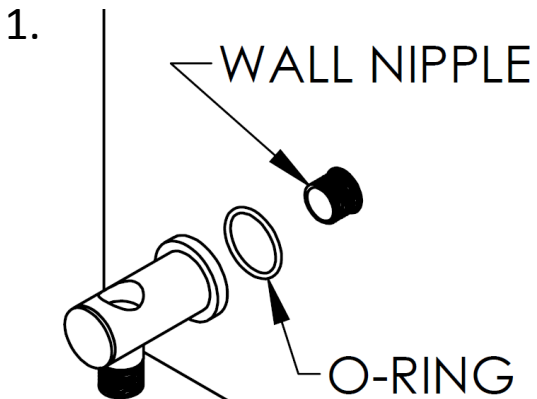


Install wall nipple (provided by plumber) through hole in wall. Tighten lower post assembly onto nipple

Slip bar into the top of the lower post. Remove post cap and tighten set screw on to bar to hold it in place. Slip lower post cap to cover set screw hole



Line up hole in wall with hole in the top of the bar. Install wall anchor into wall

Slip top post over bar. Install dry wall screw through bar. Ensure larger hole in bar is facing away from the wall so the head of the screw is inside the bar. Slip the top post cap over the post.

